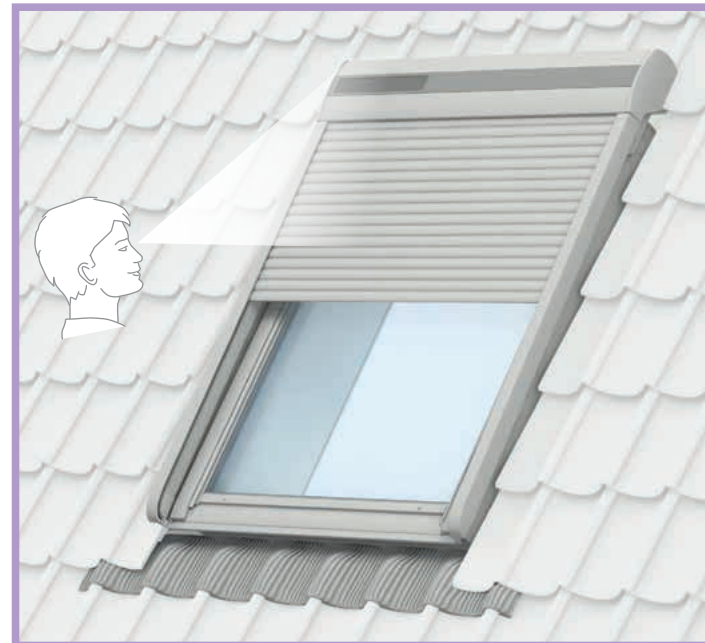


VELUX INTEGRA® KSX 100K

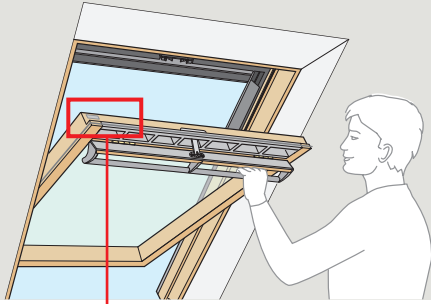




Page 4



Page 24



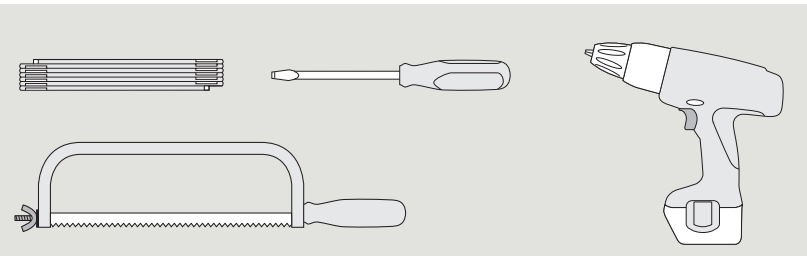
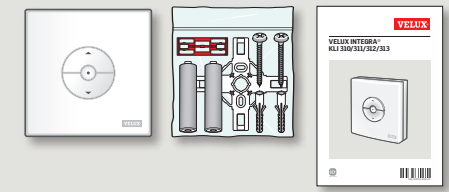
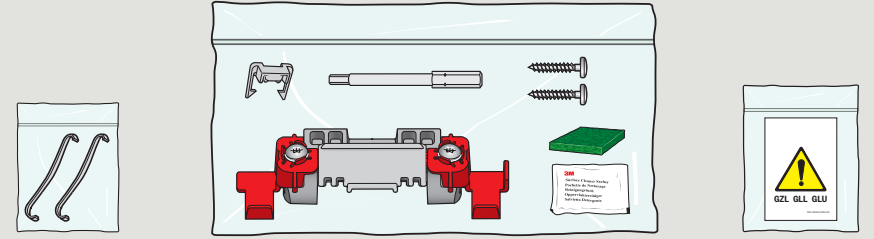
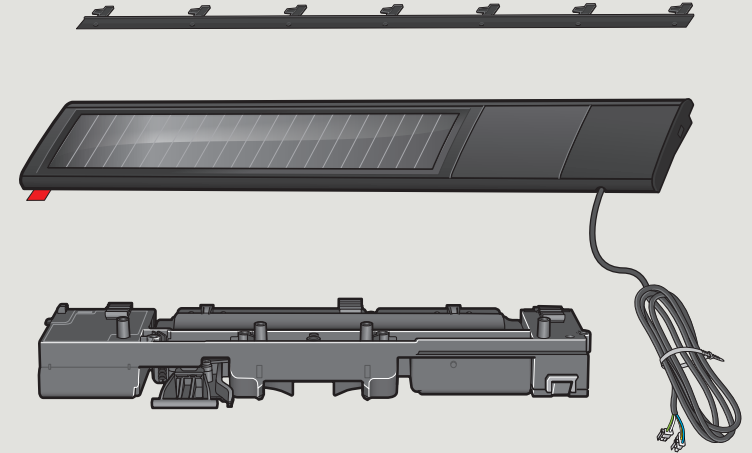
CK04 **FK04** **MK04** **PK04** **SK04** **UK04**
CK06 **FK06** **MK06** **PK06** **SK06** **UK08**
 FK08 **MK08** **PK08** **SK08** **UK10**
 MK10 **PK10** **SK10**
 MK12

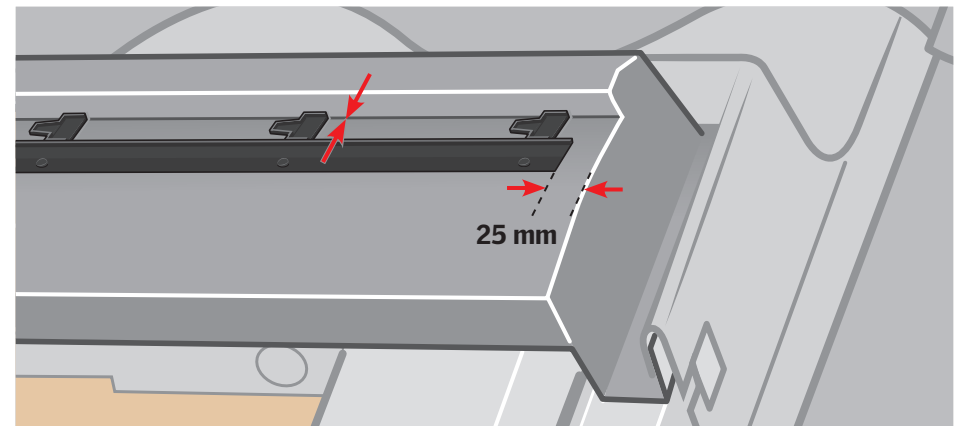
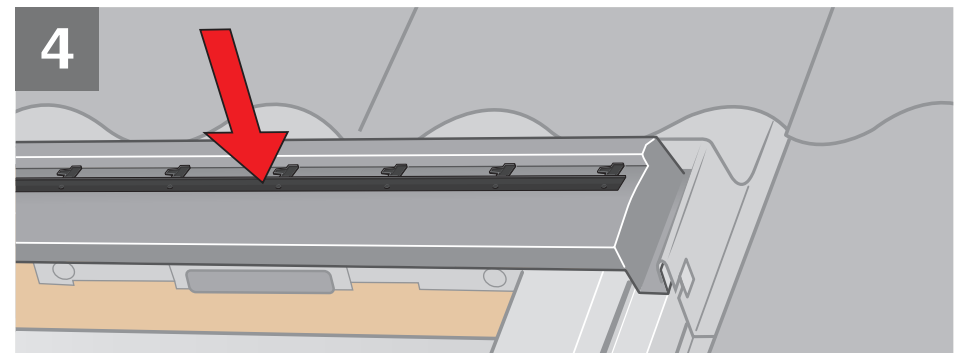
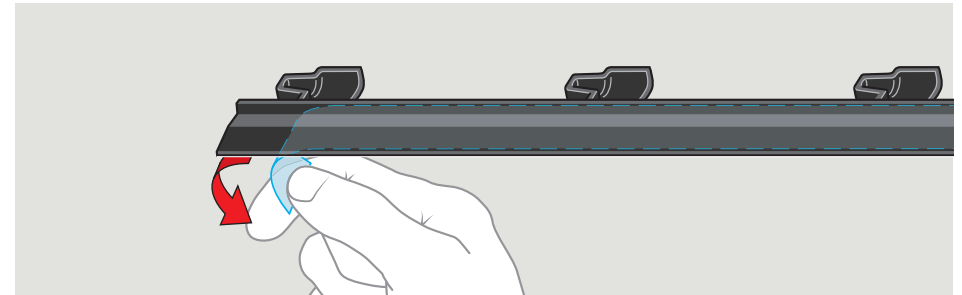
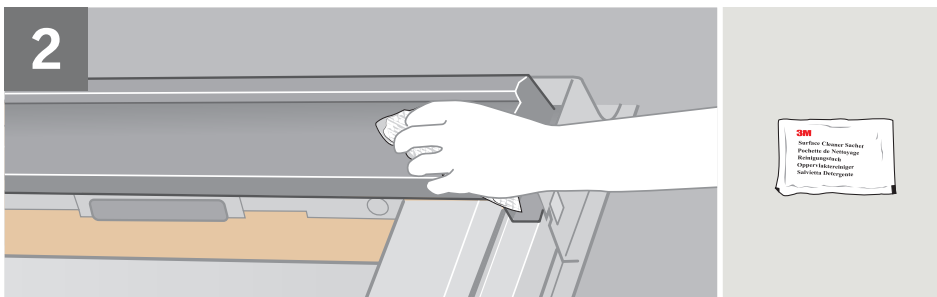
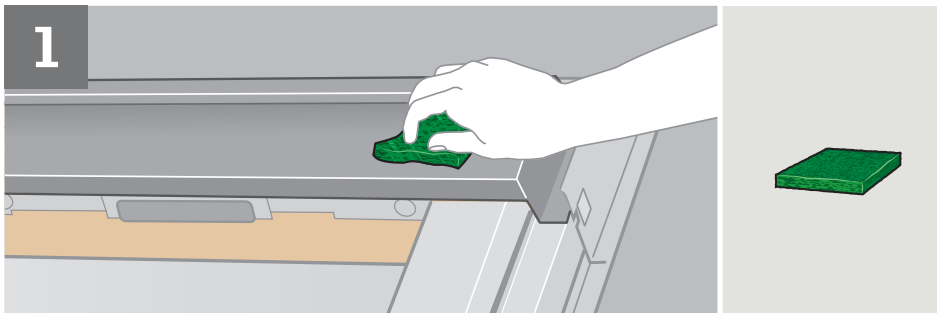
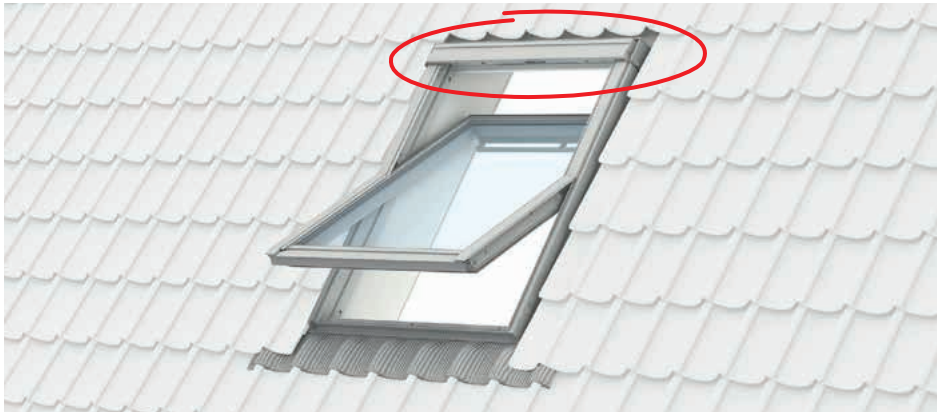


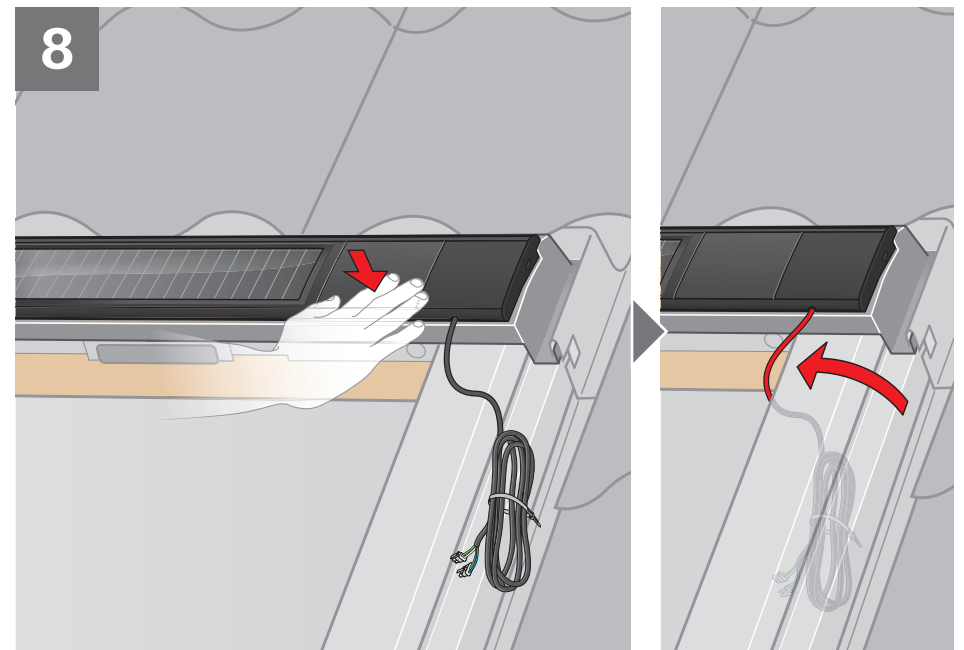
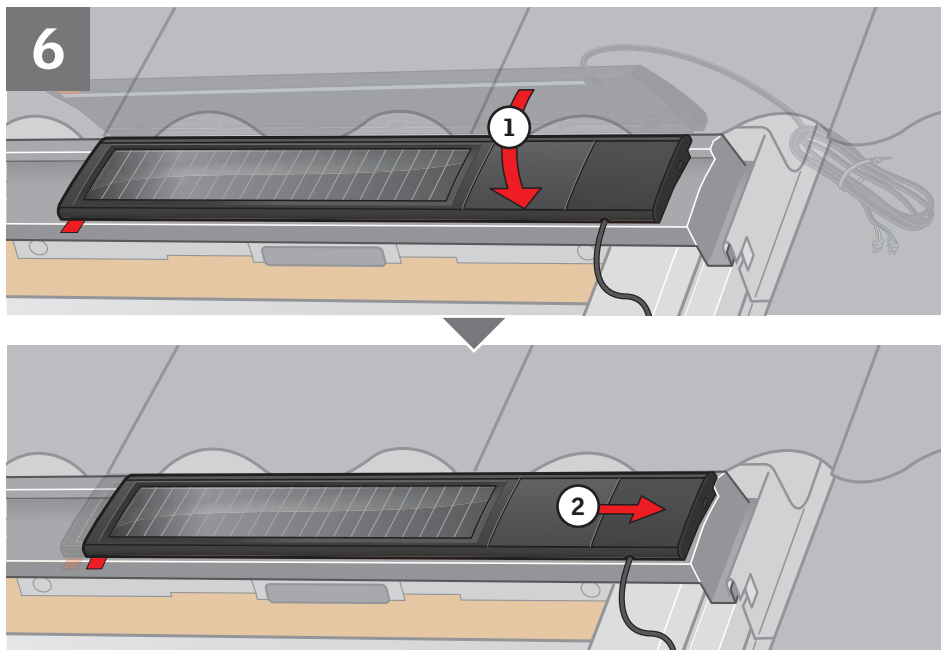
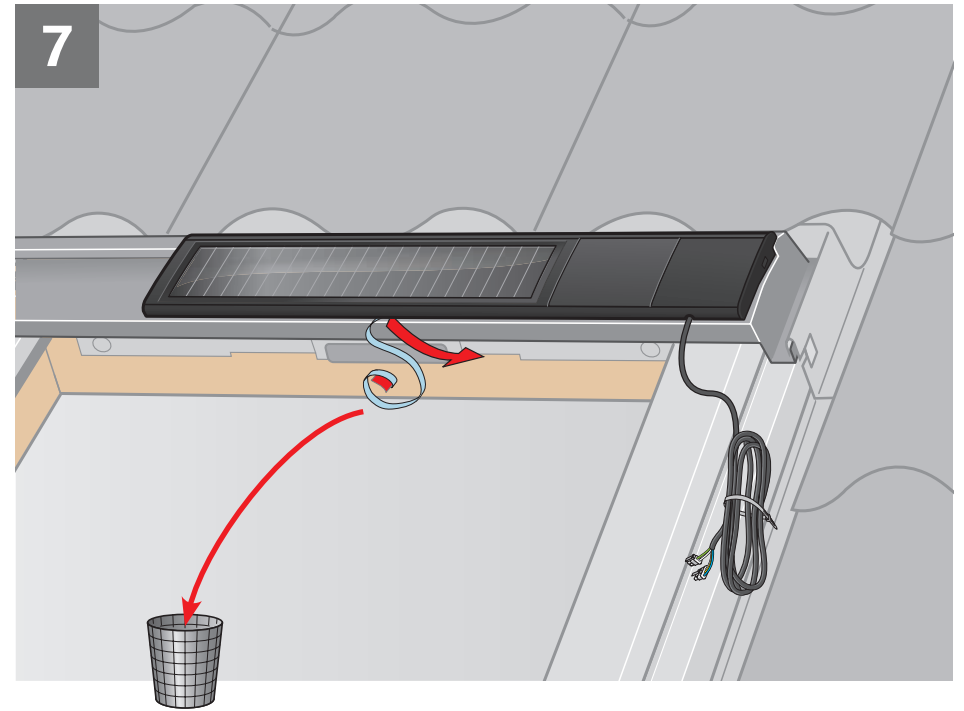
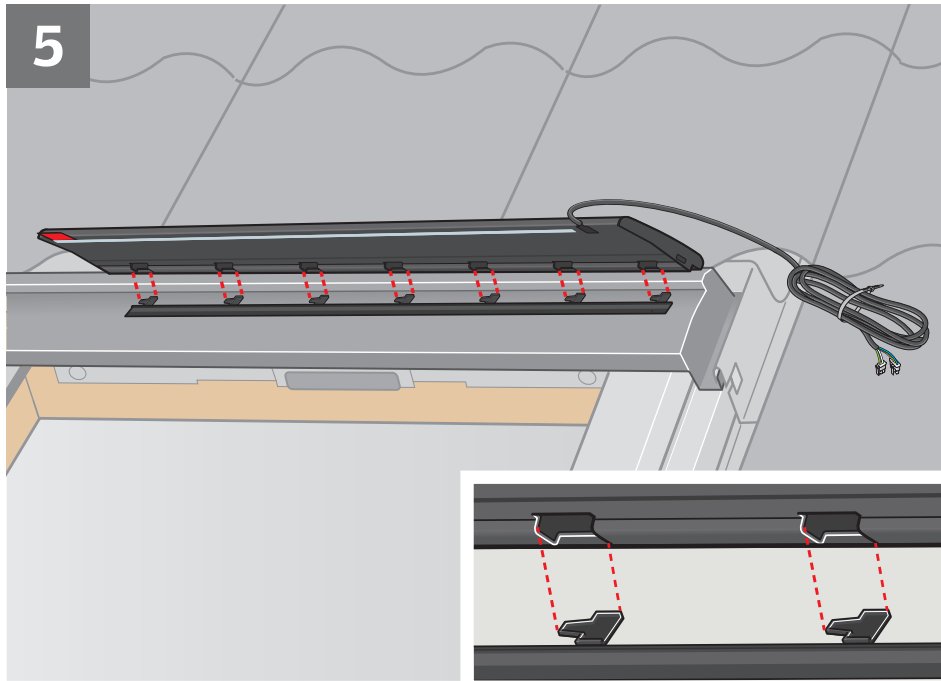
CK01 **MK27** **PK25** **SK01**
CK02

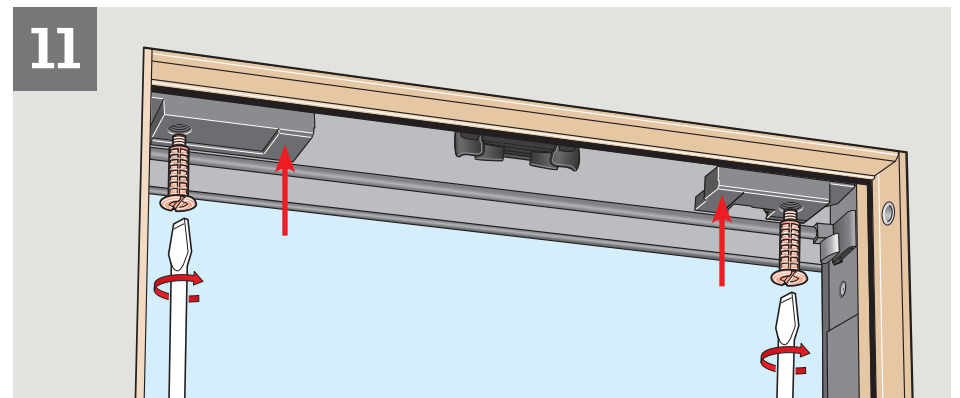
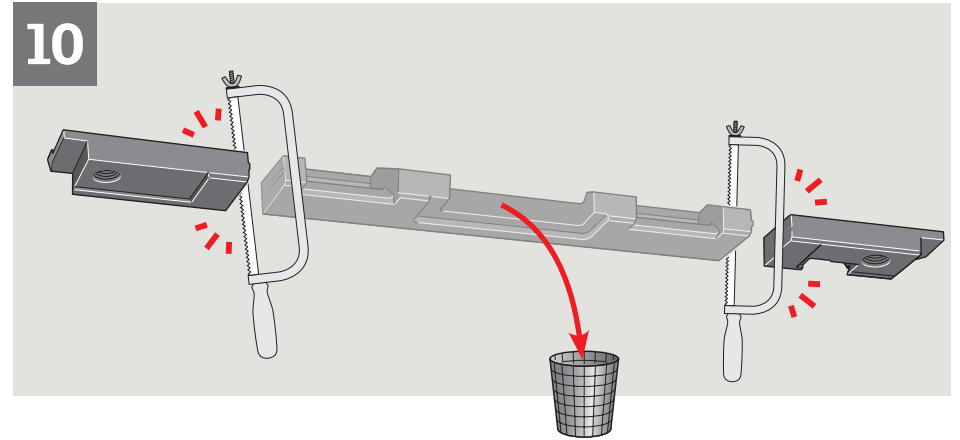
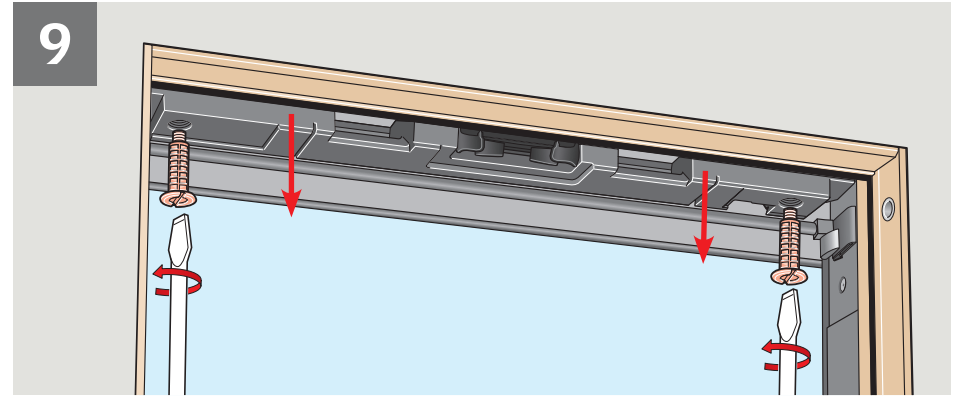
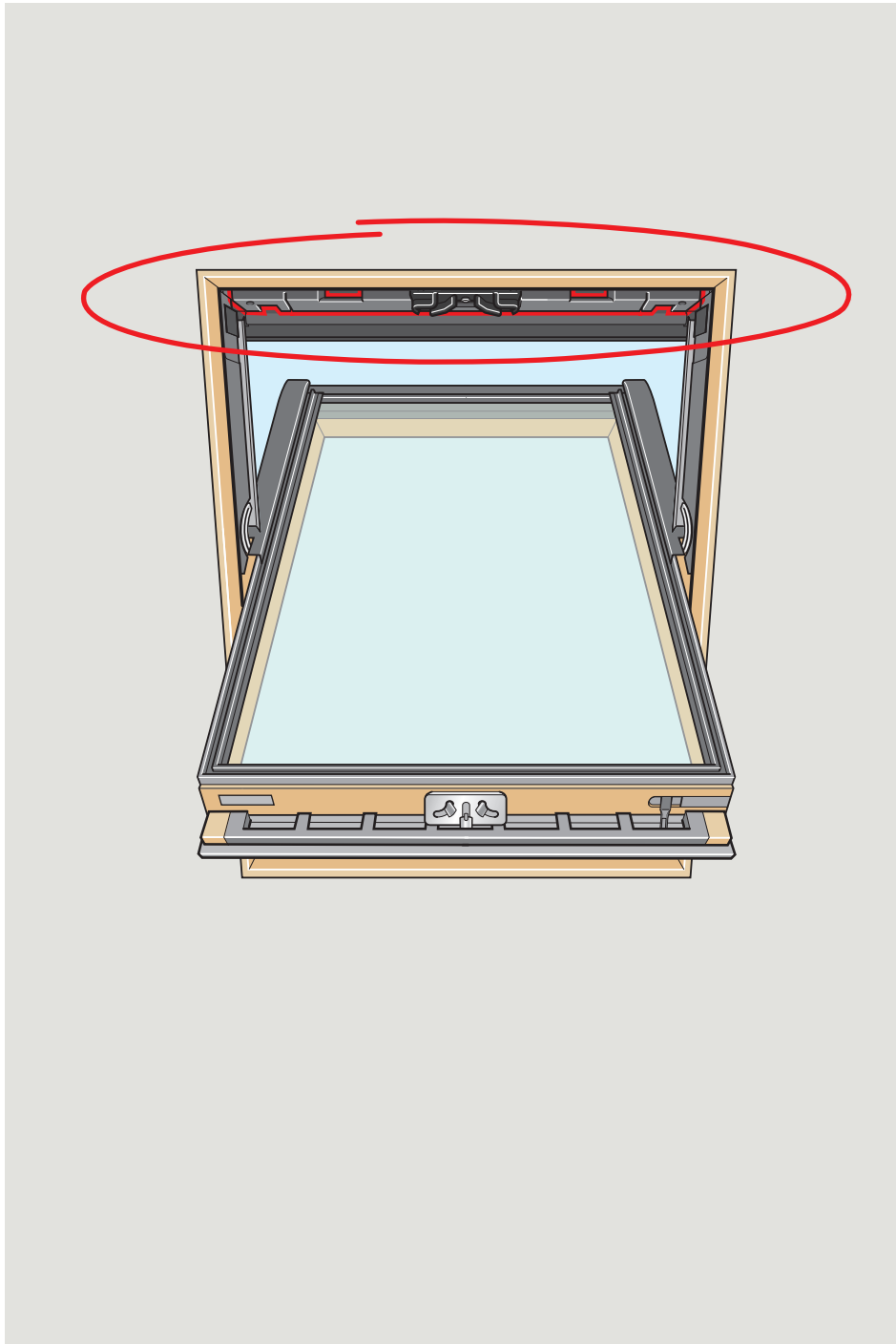


BK04



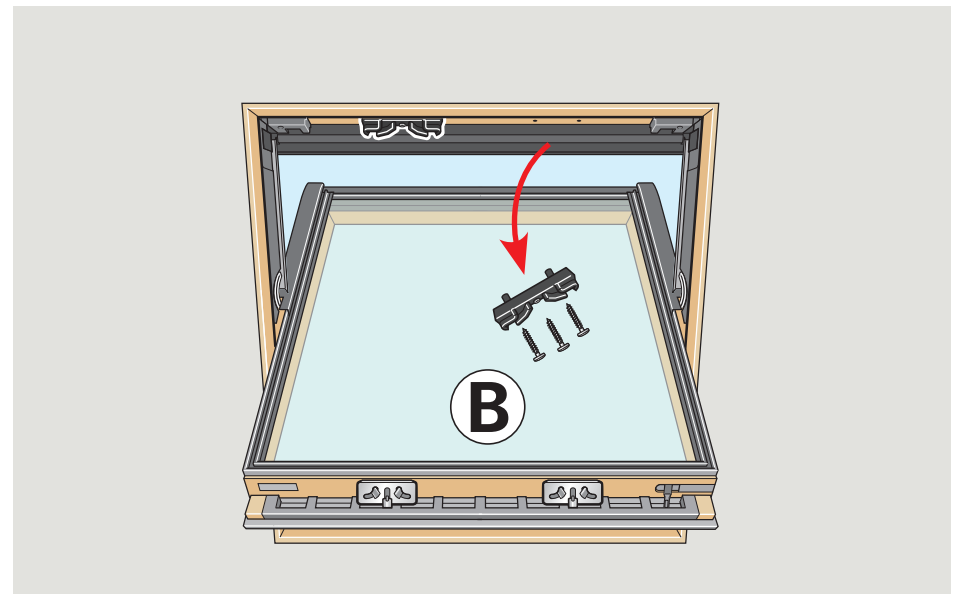
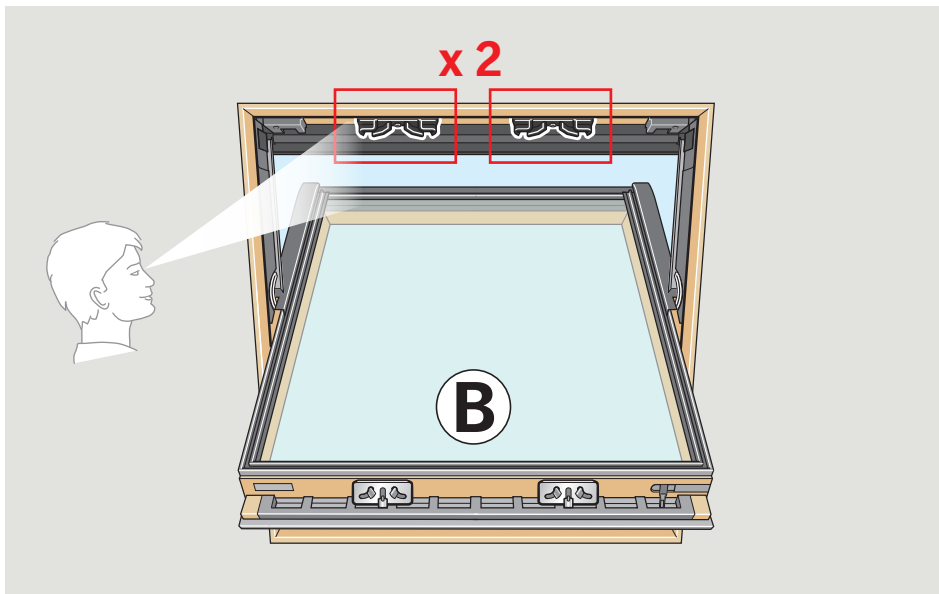
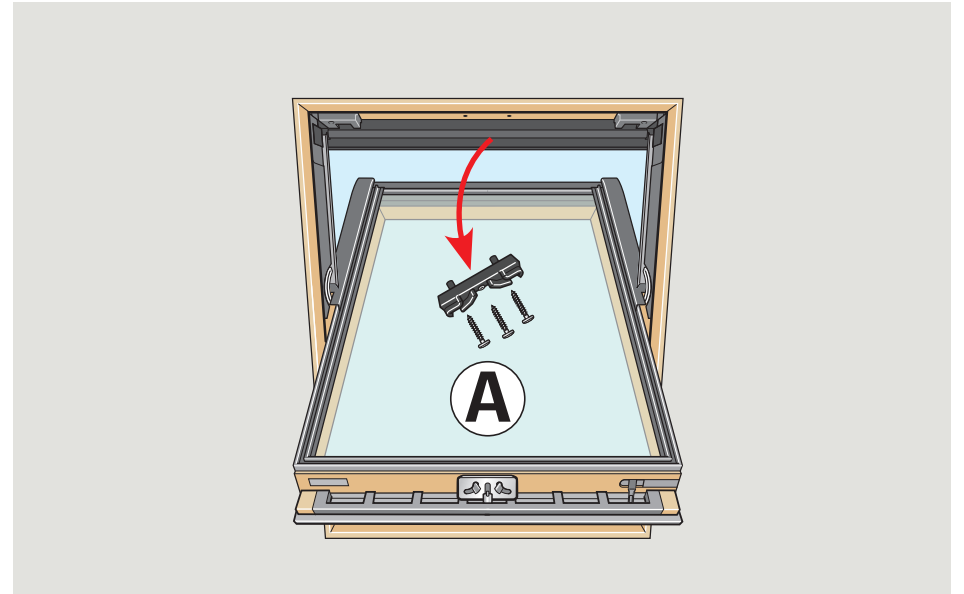
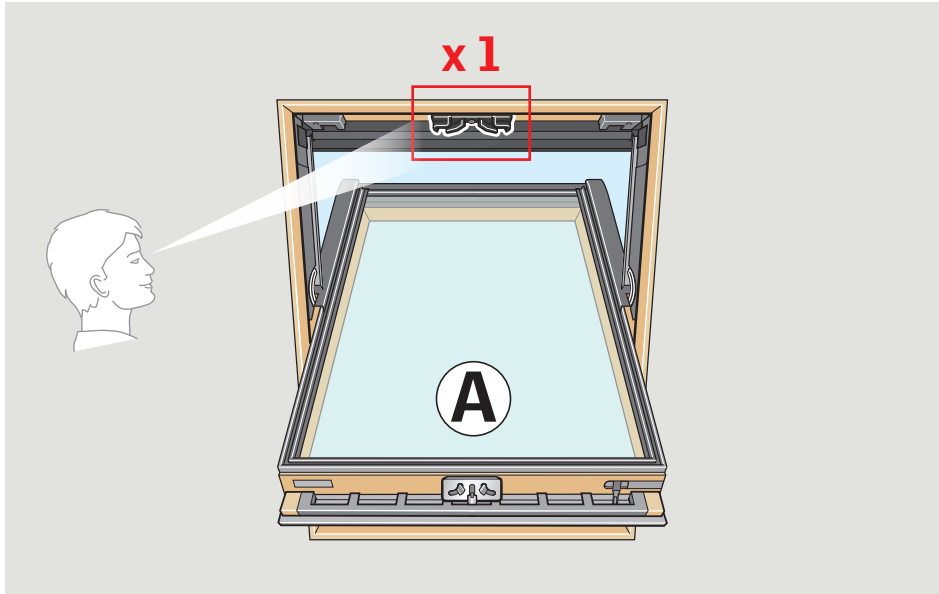




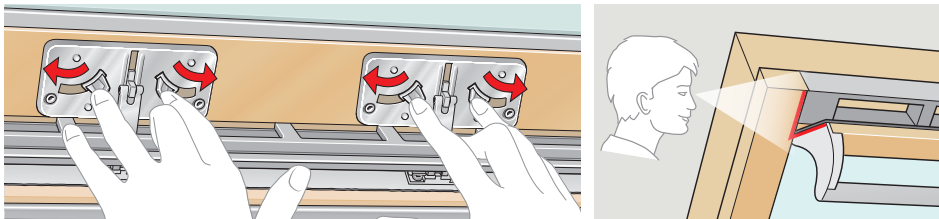
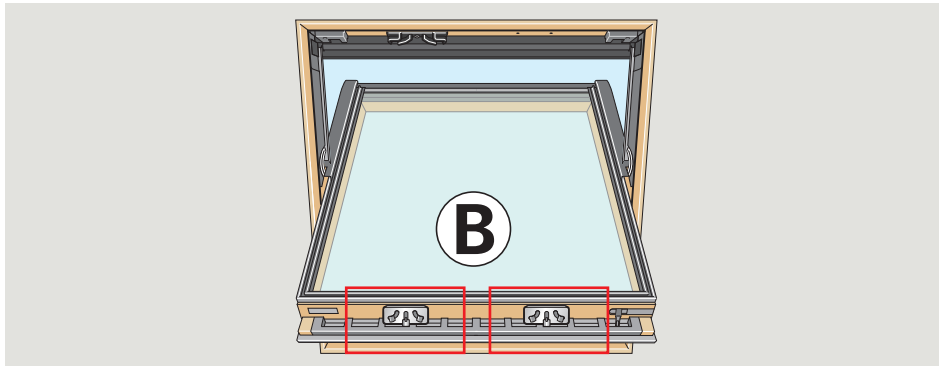
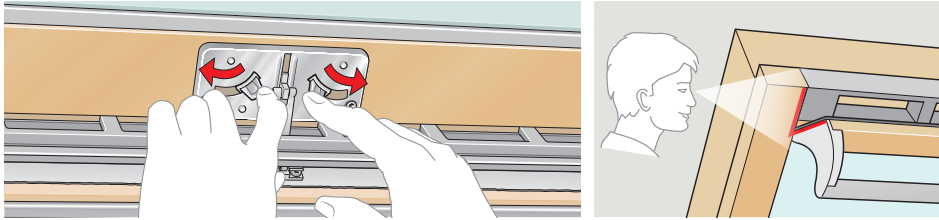
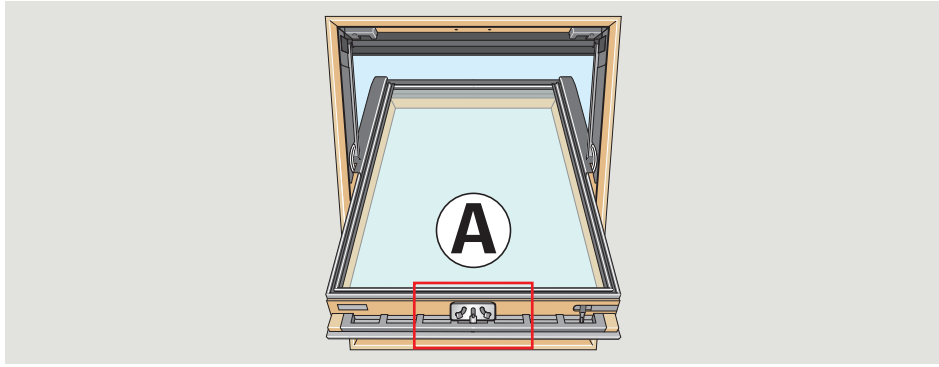


i

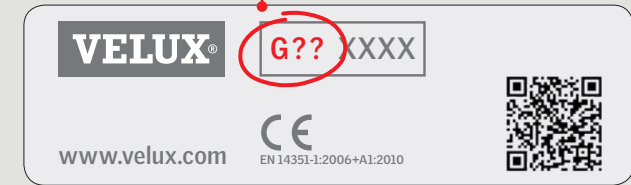
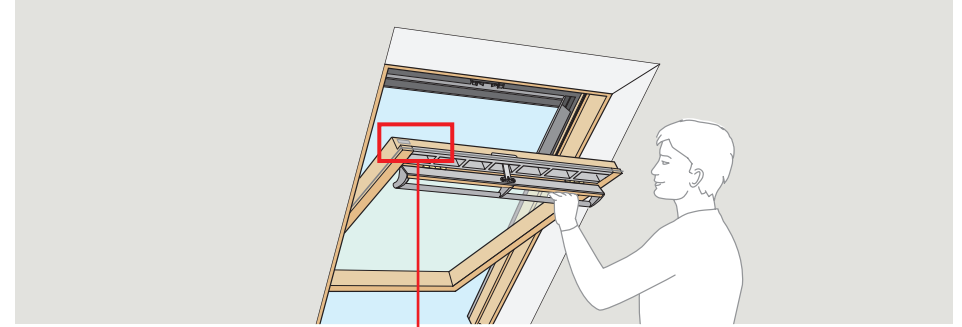
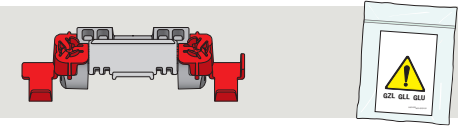
12



13



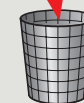
14



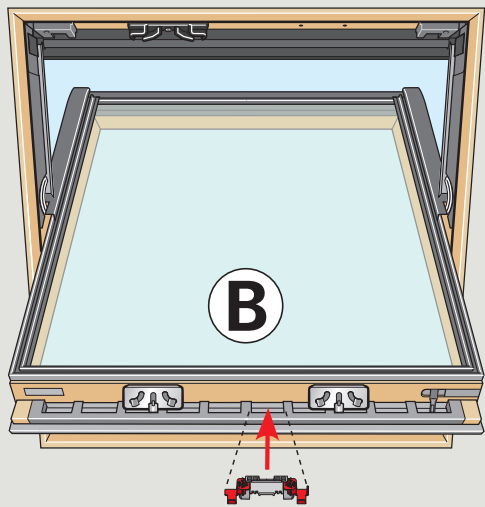
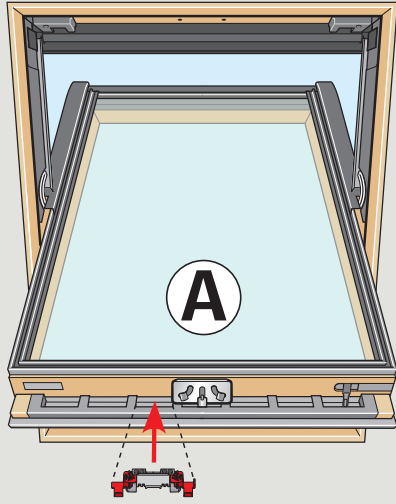
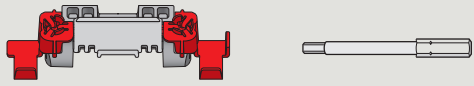
GZL
GLL
GLU



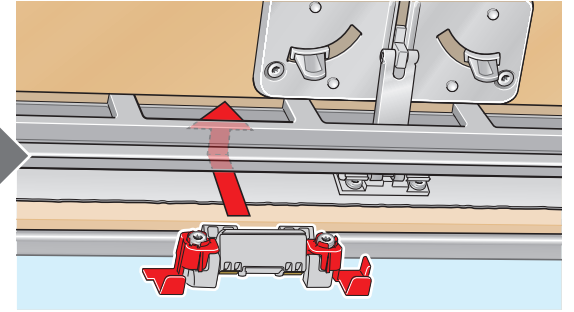
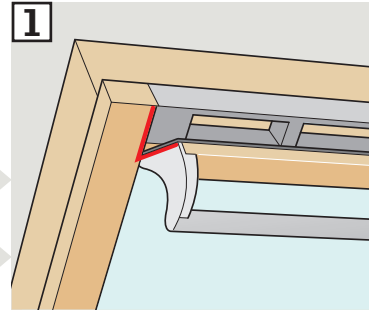
GGL **GPL**
GGU **GPU**



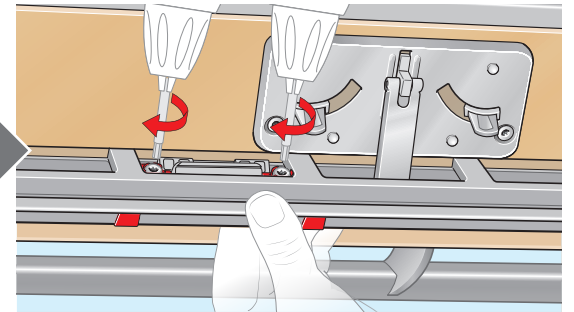
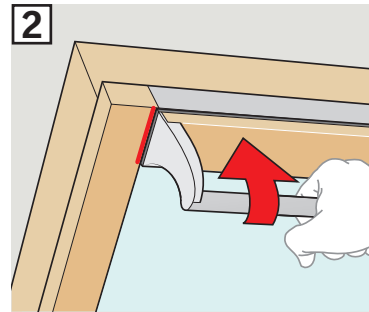
15



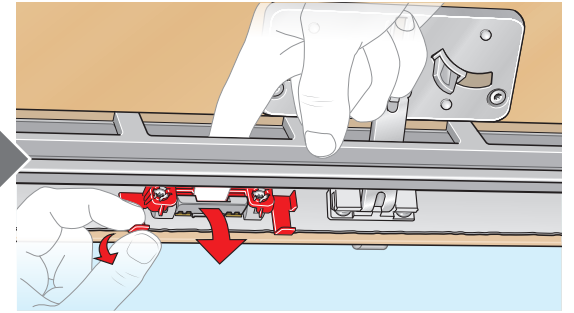
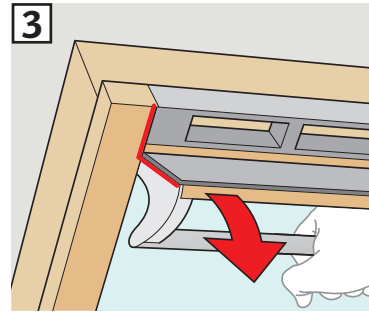
1



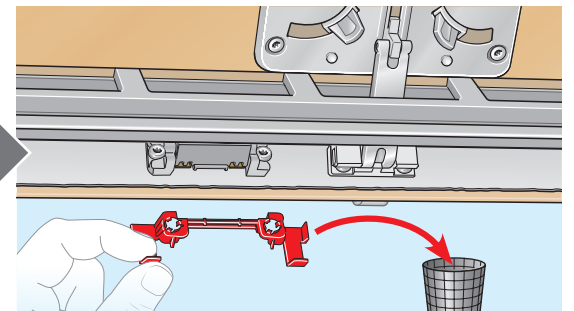
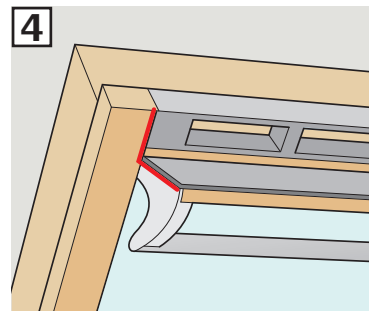
2



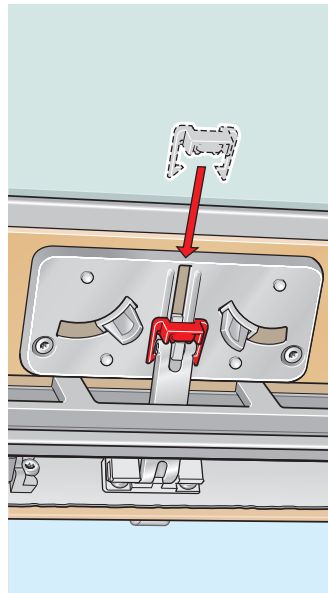
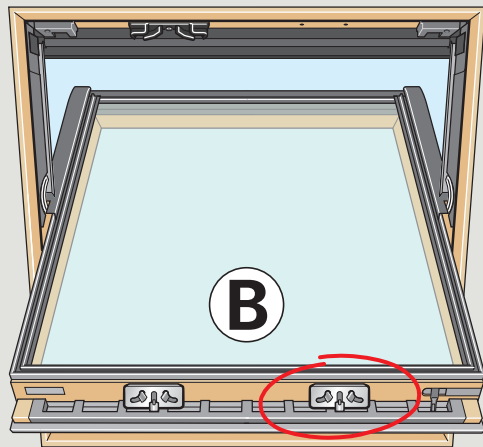
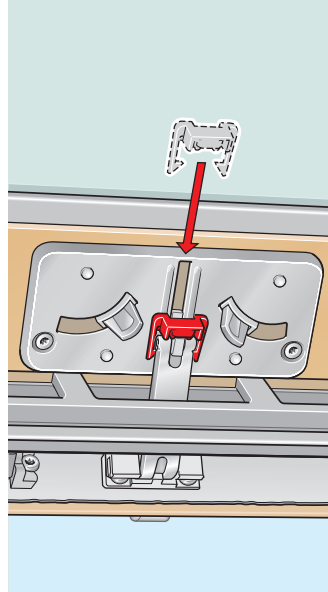
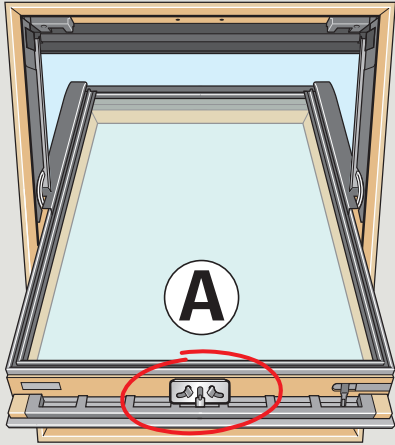
3



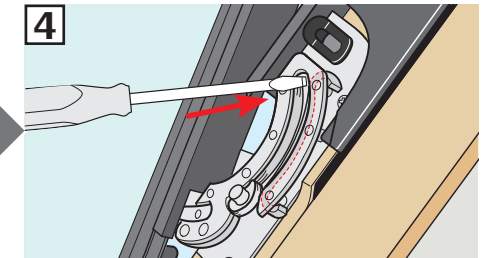
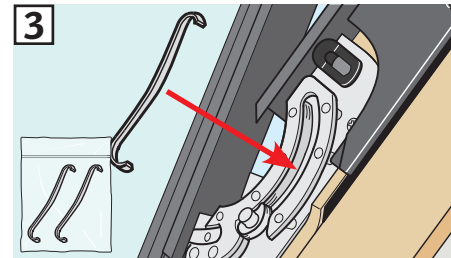
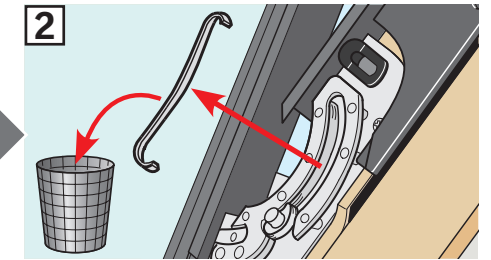
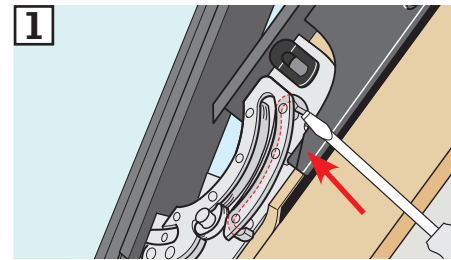
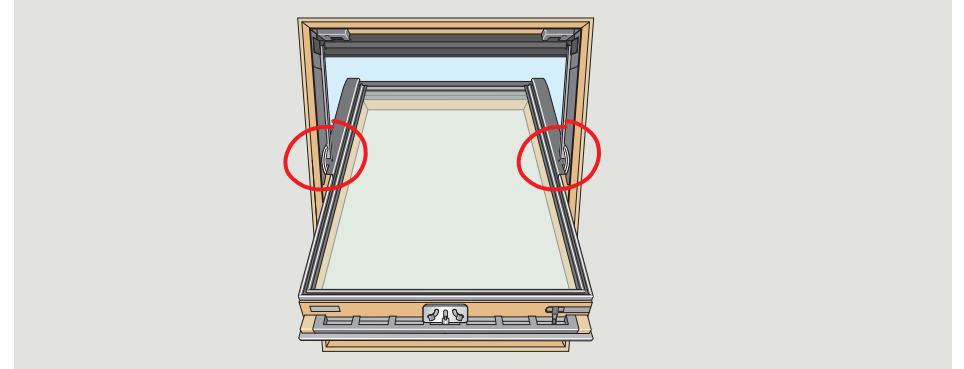
4



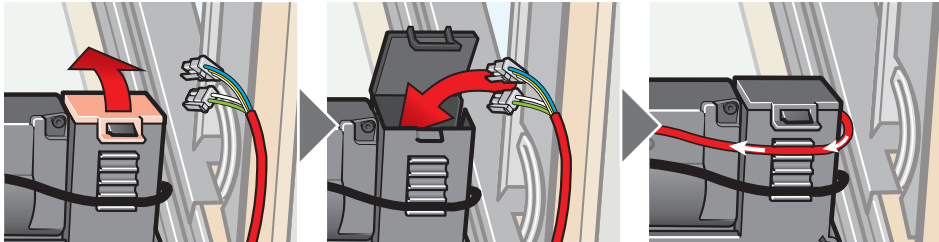
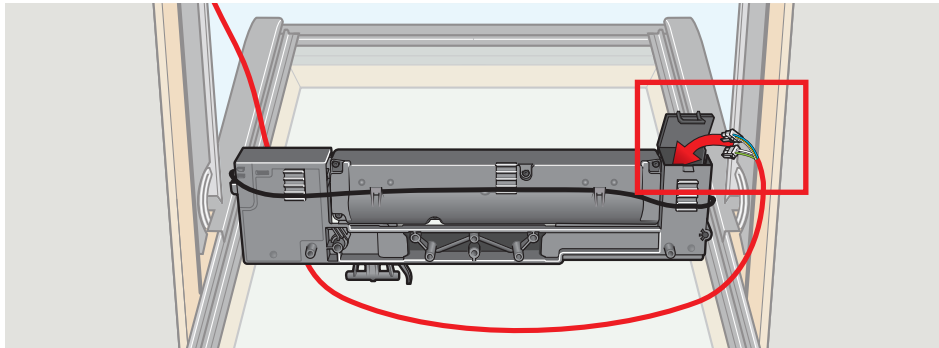
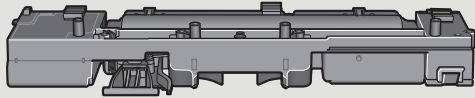
16



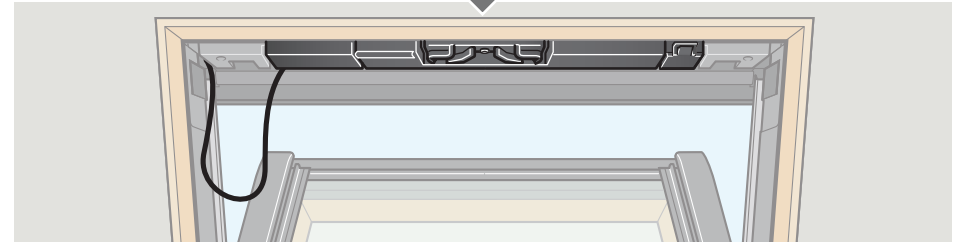
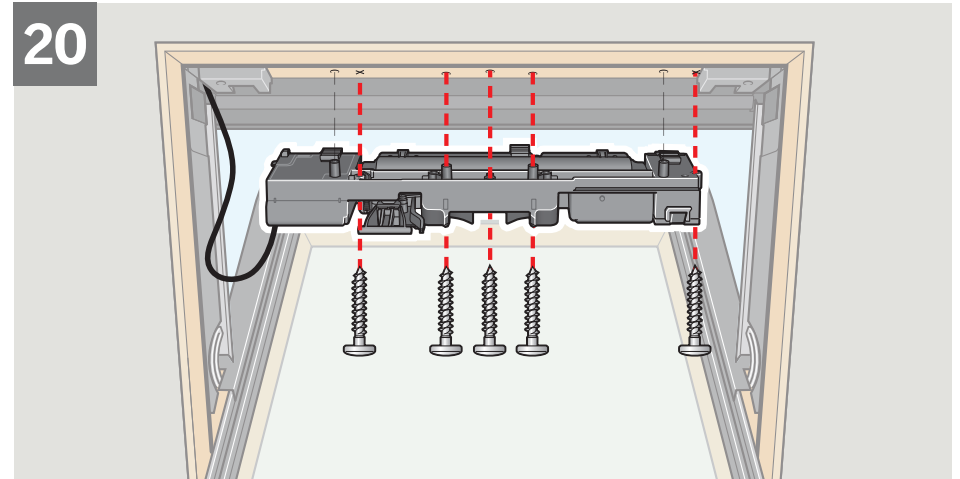
17



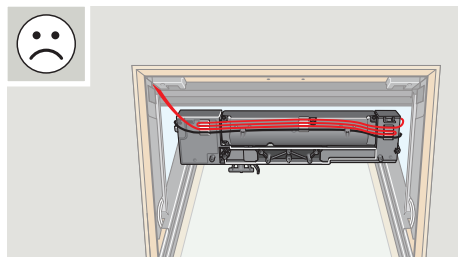
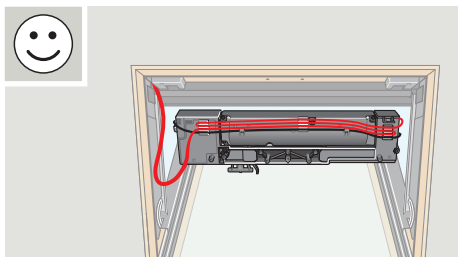
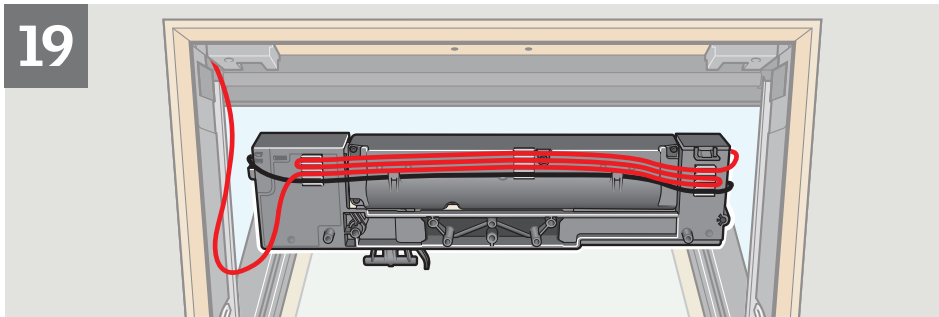
18



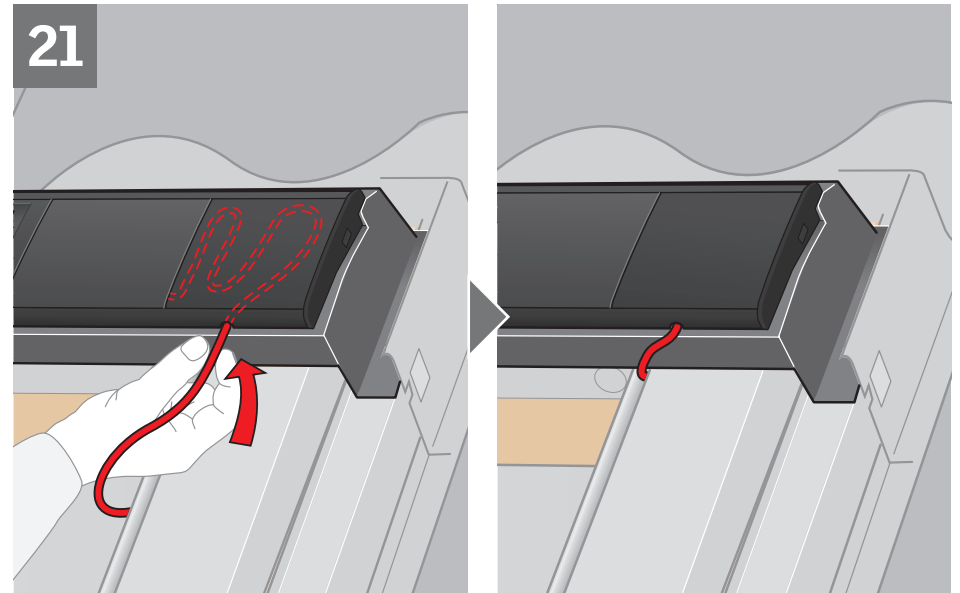
20



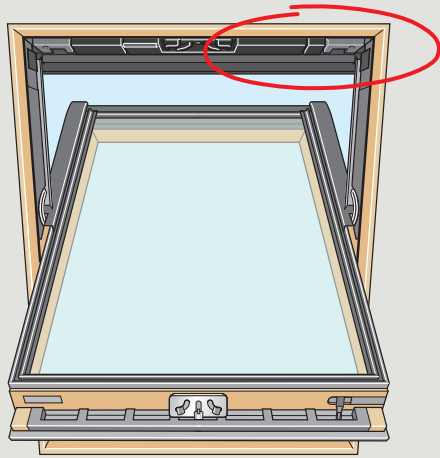
19



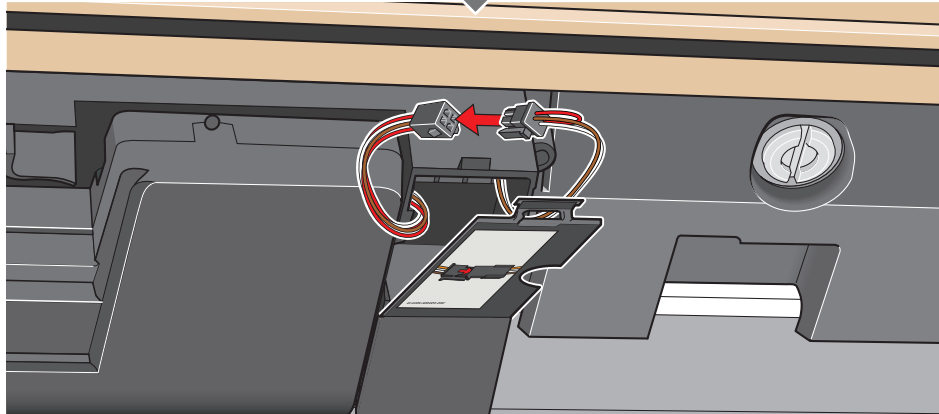
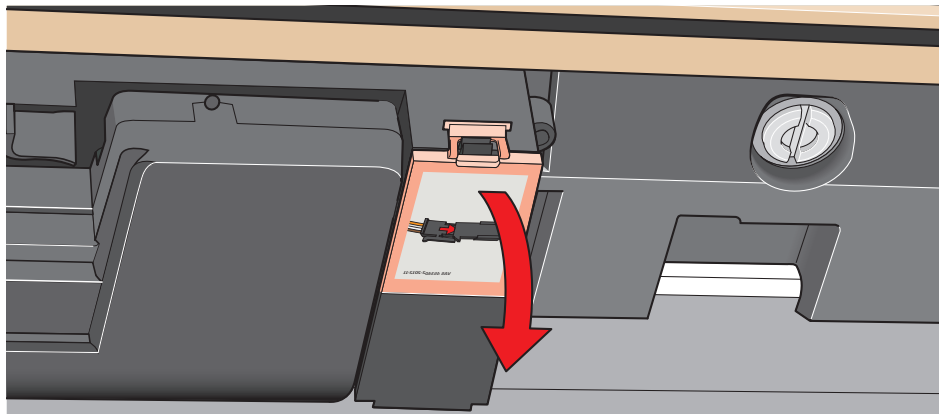
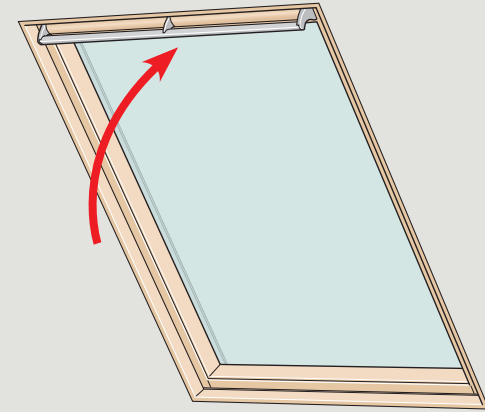
21



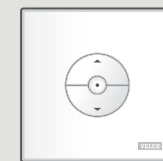
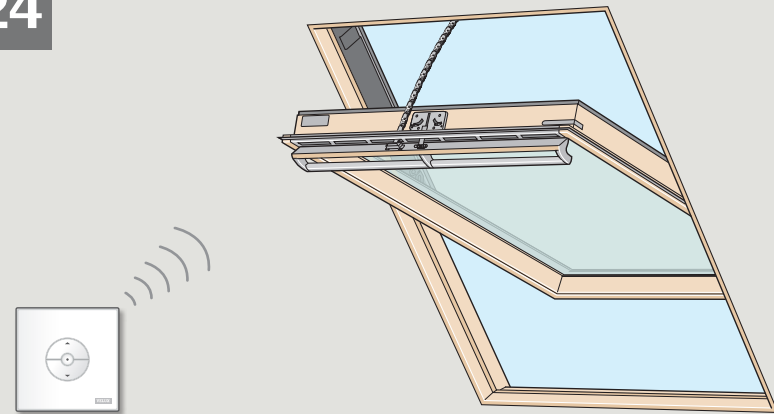
22



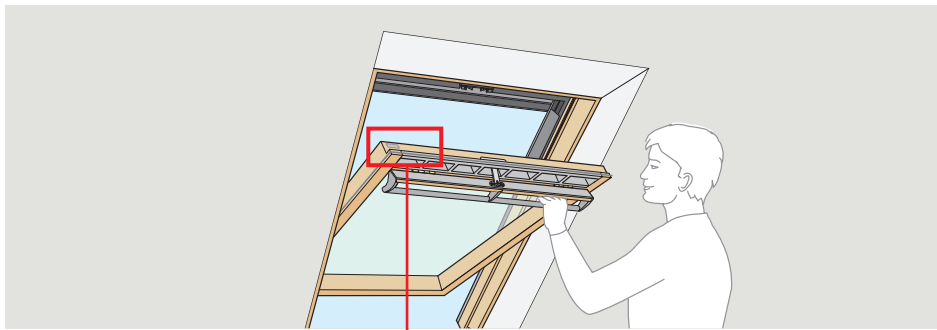
23



24



www.velux.com/integrasupport



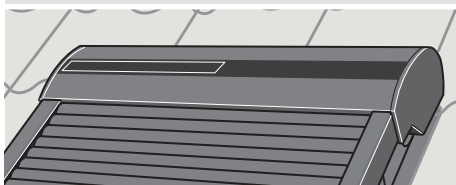
MK04 **PK04** **SK04** **UK04**
MK06 **PK06** **SK06** **UK08**
MK08 **PK08** **SK08** **UK10**
MK10 **PK10** **SK10**
MK12



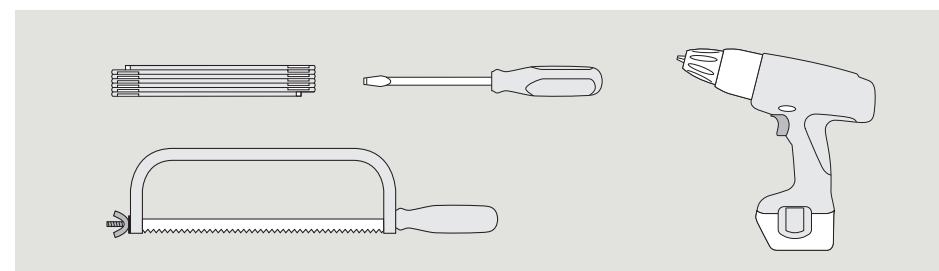
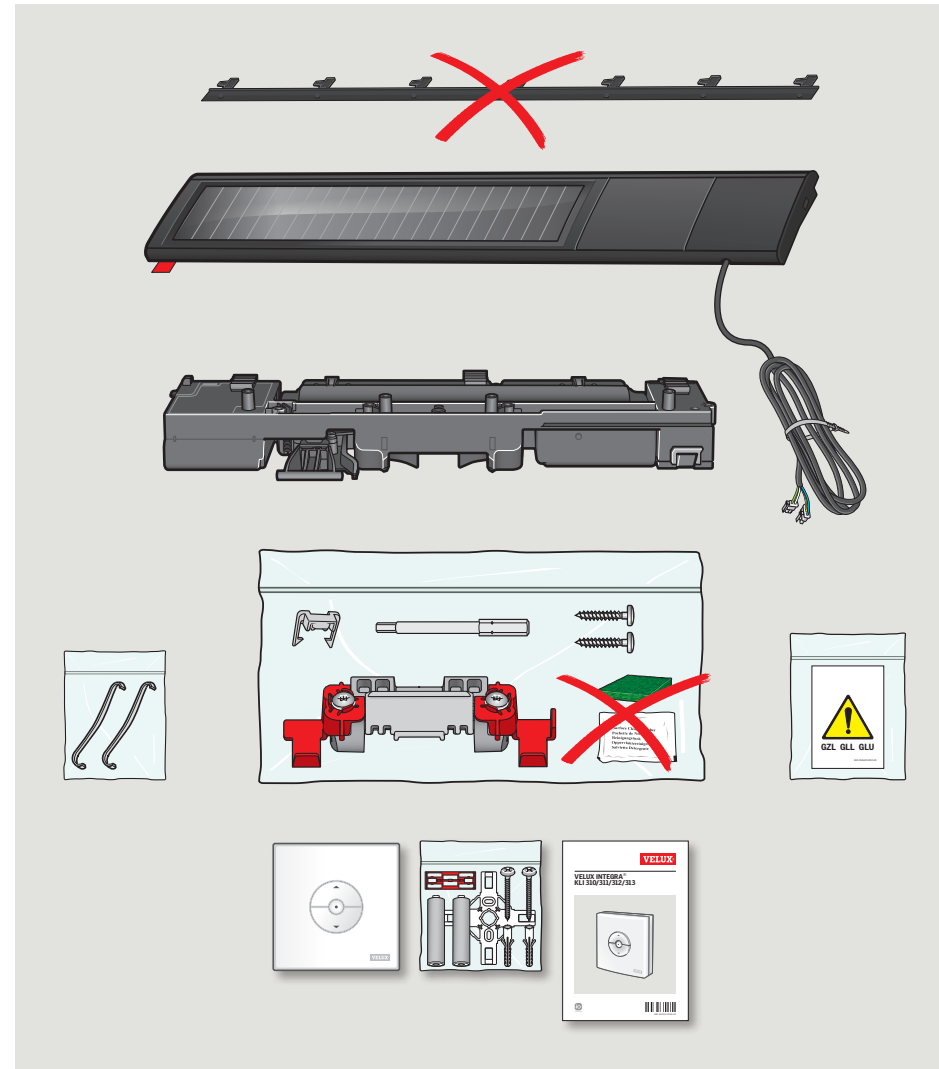
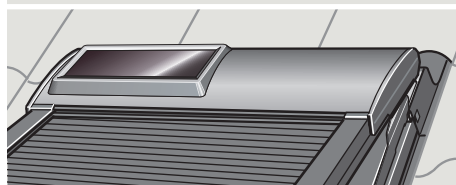
MK27 **PK25** **SK01**

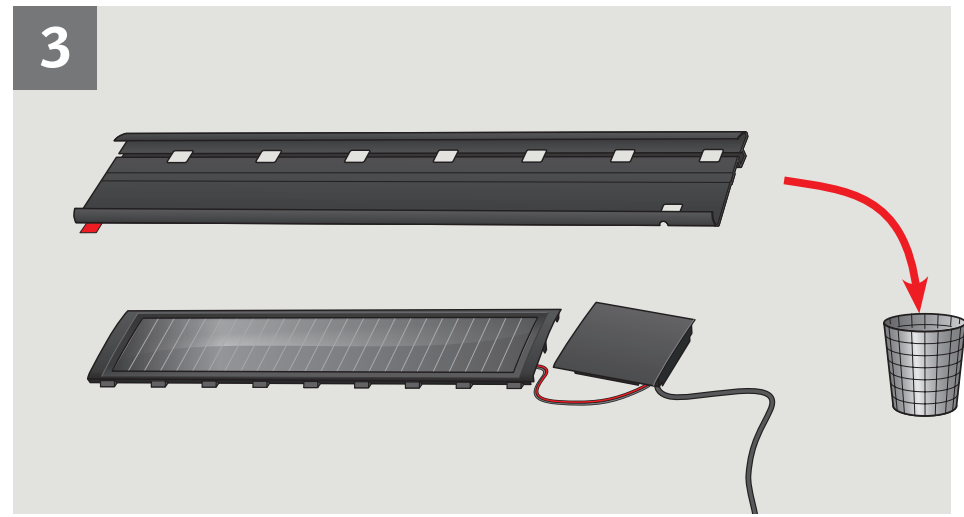
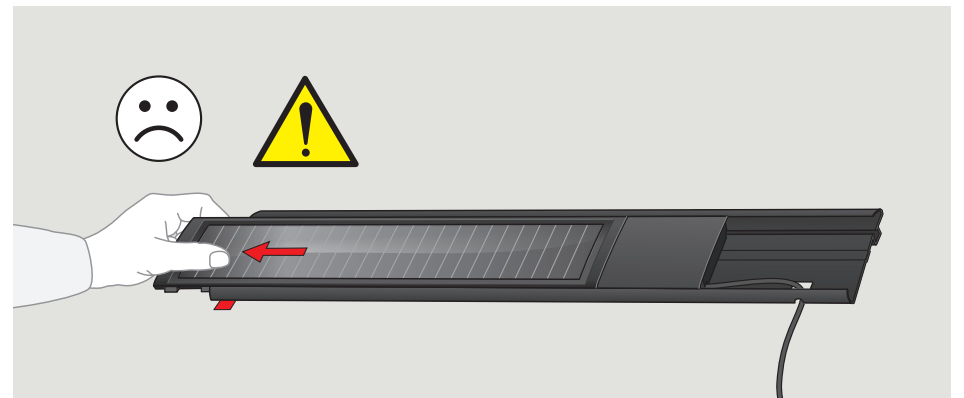
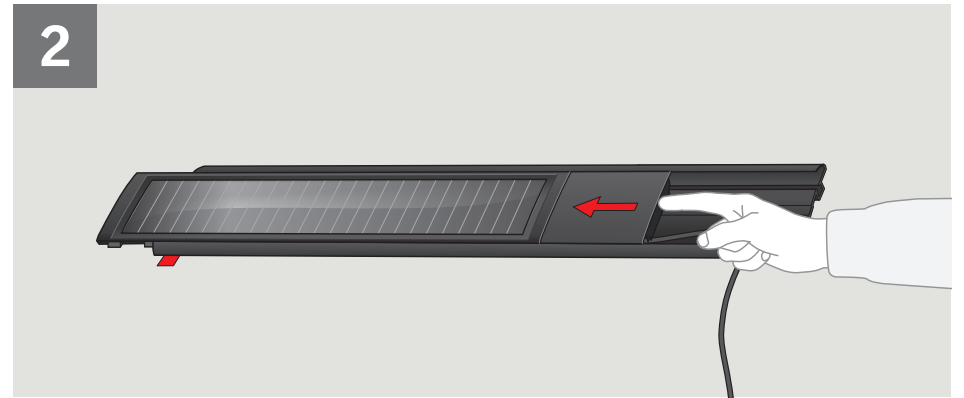
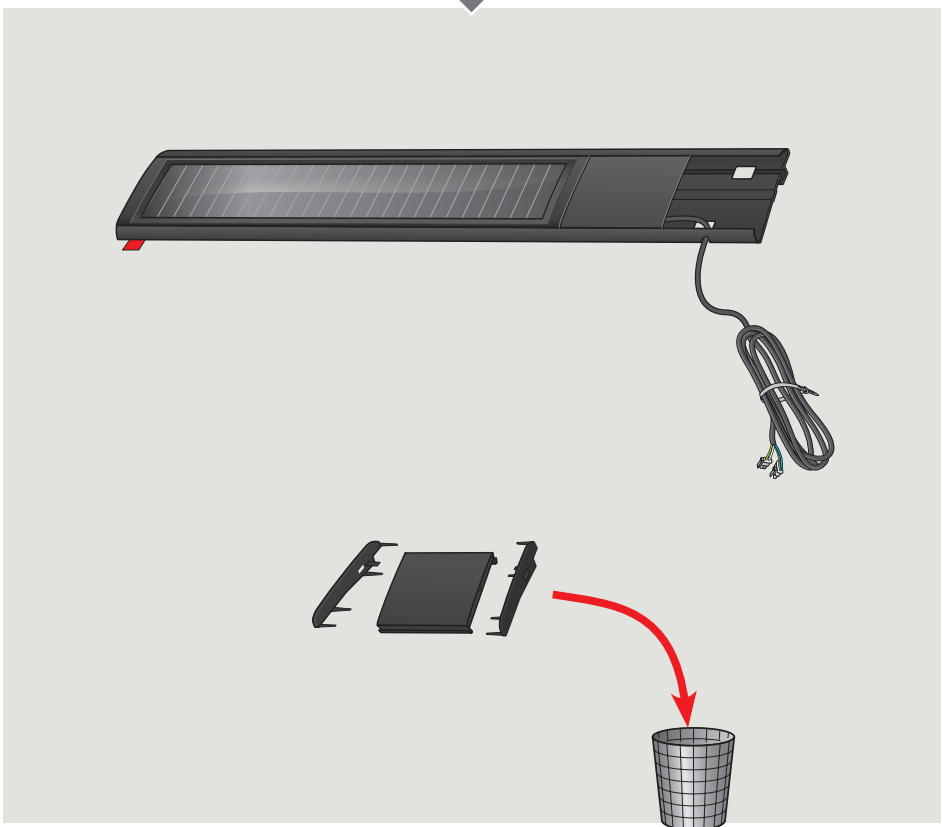
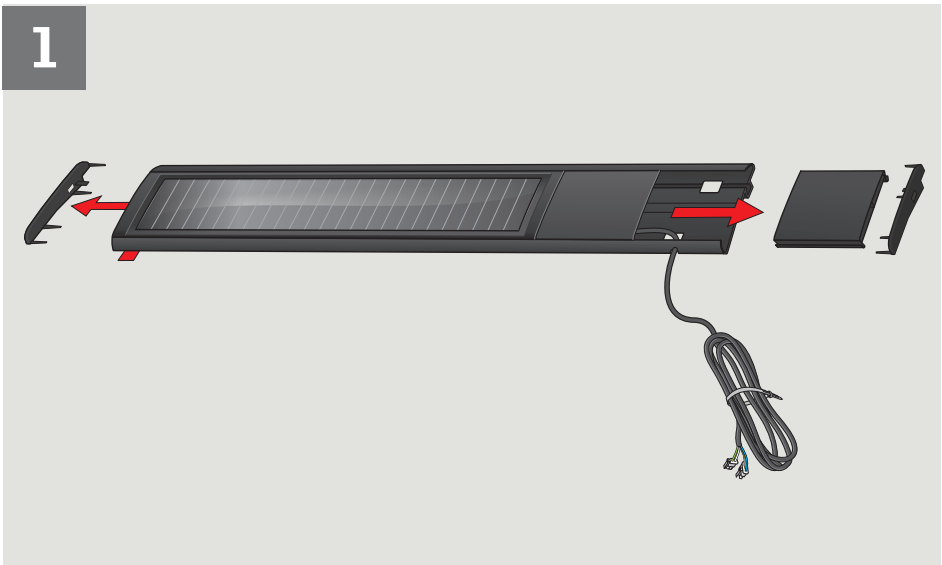


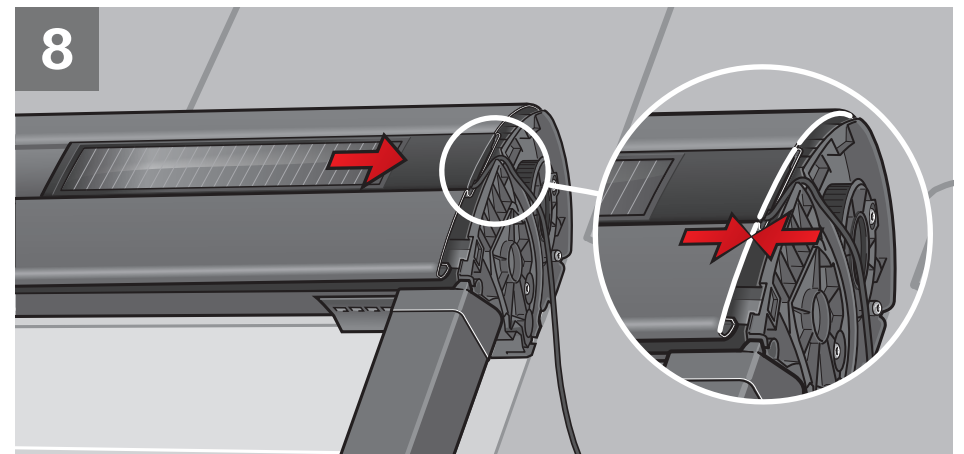
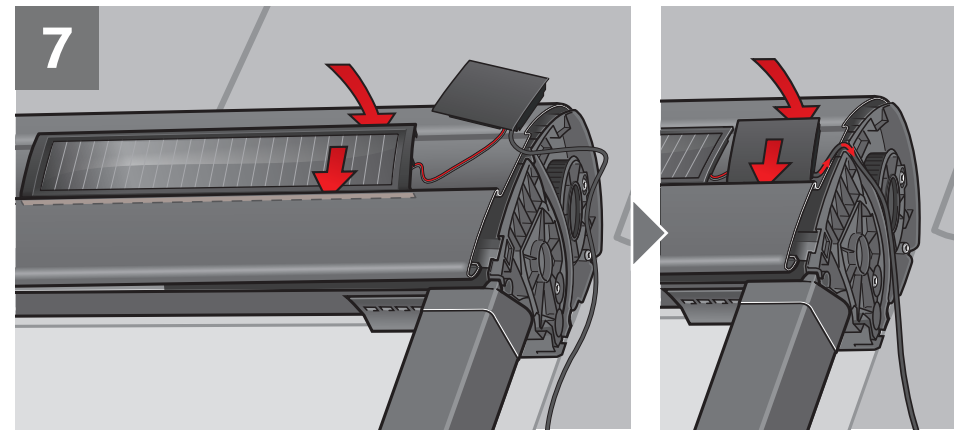
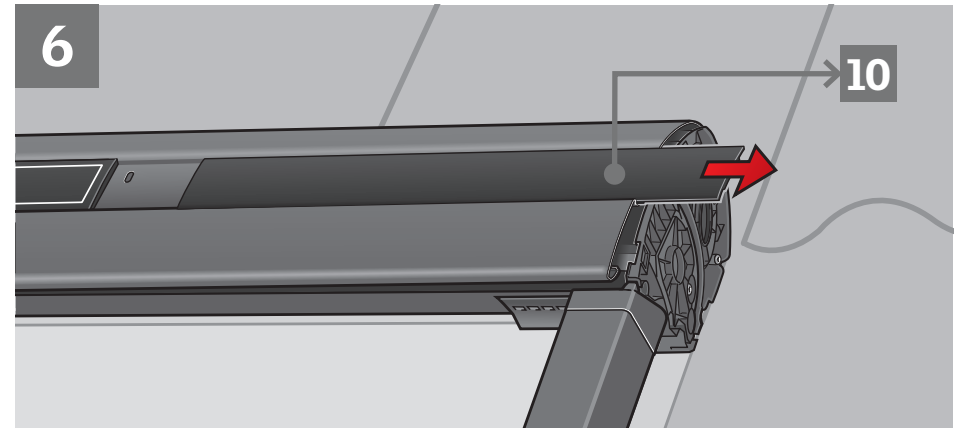
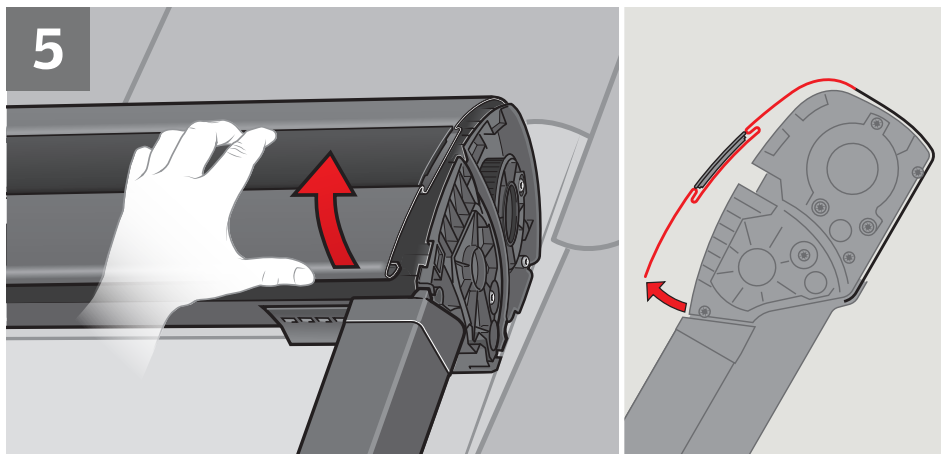
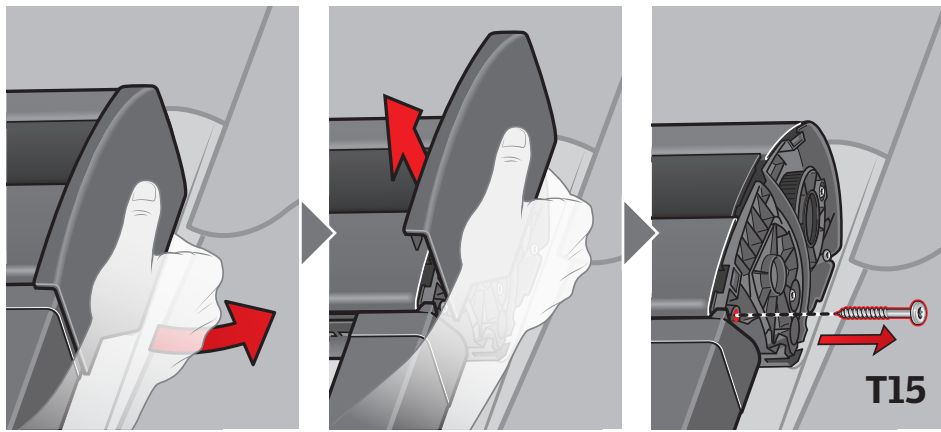
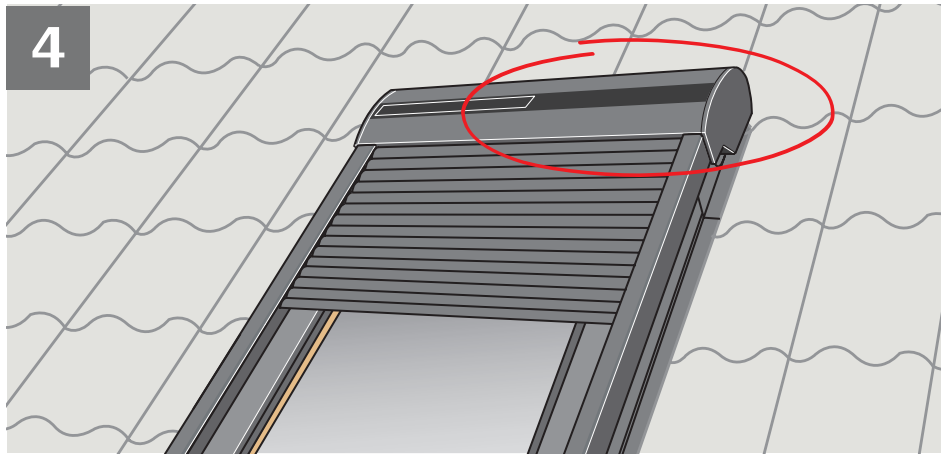
SSL

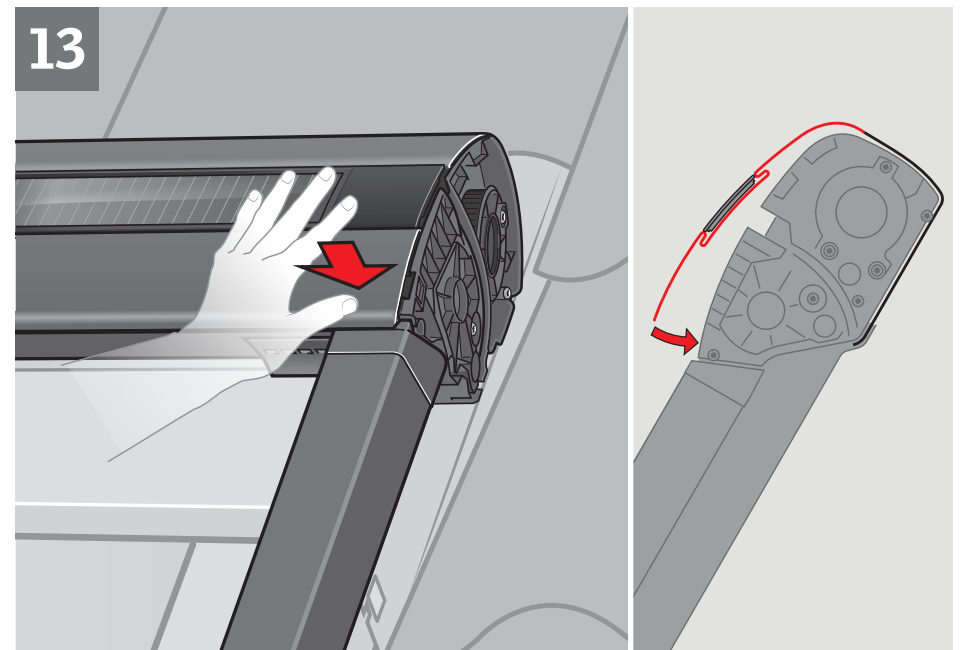
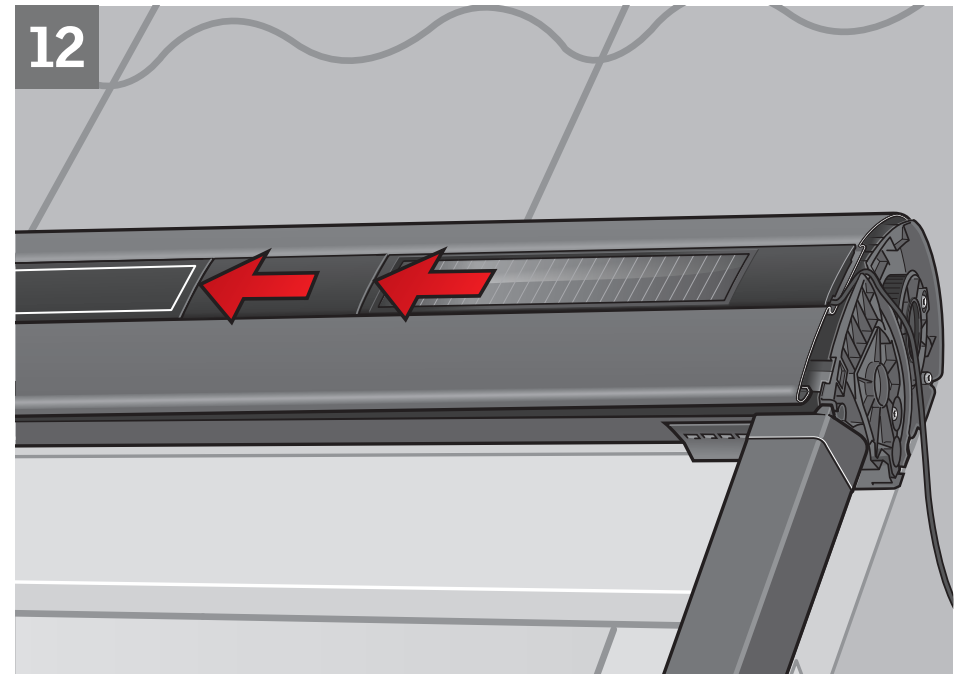
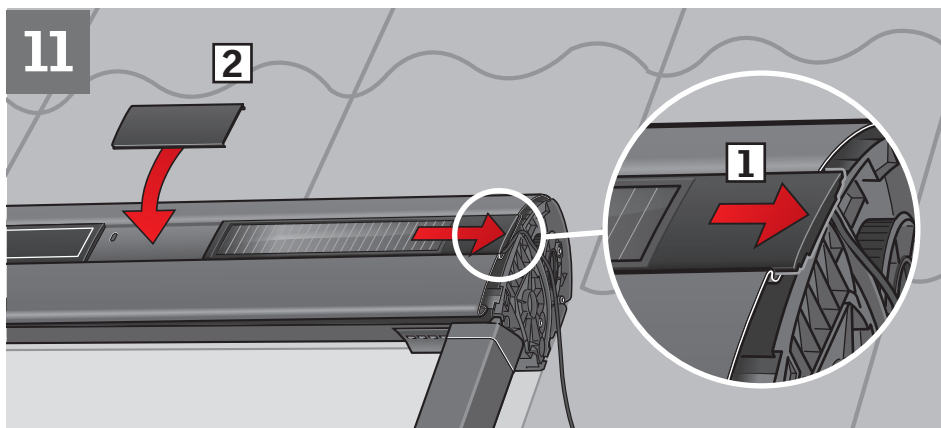
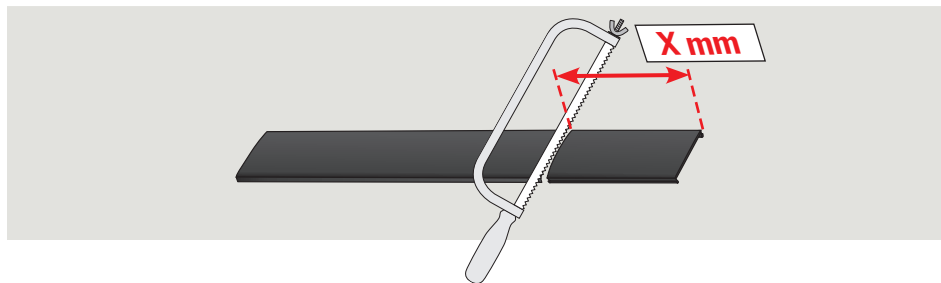
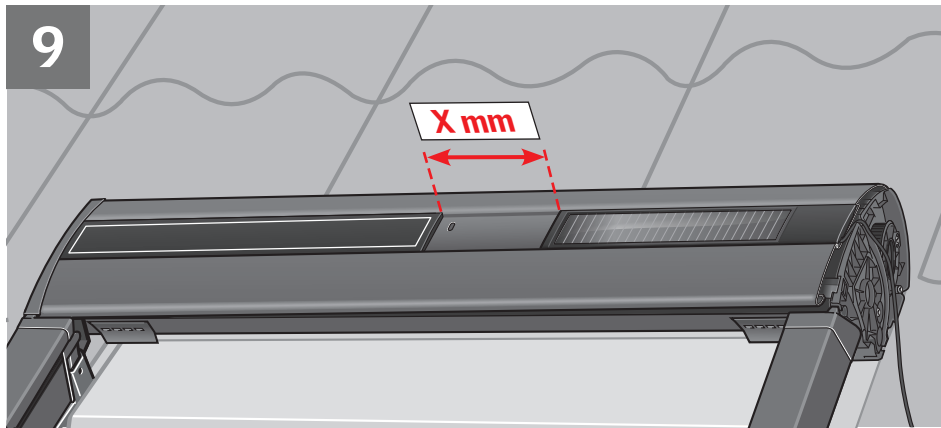


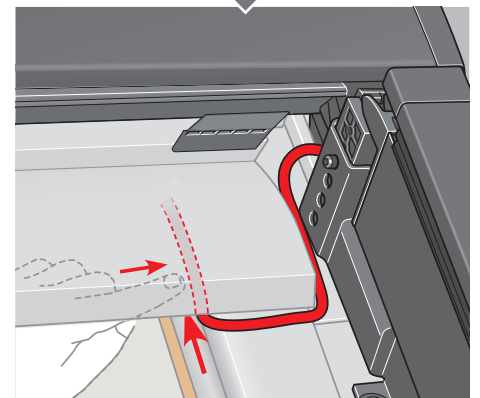
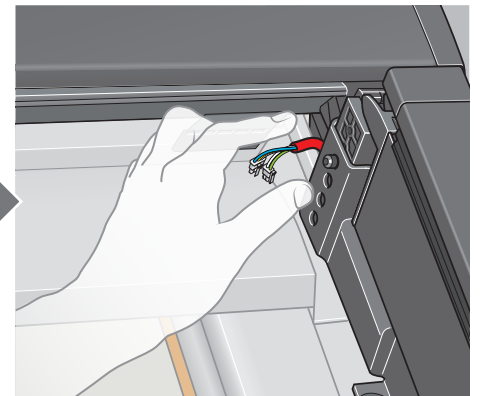
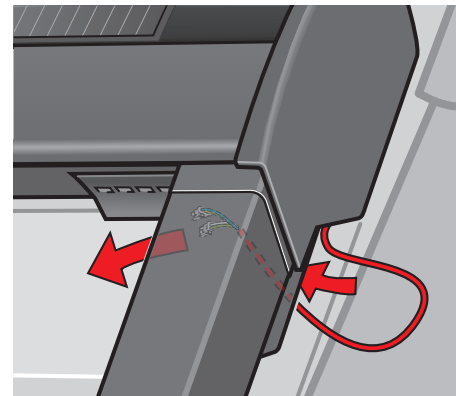
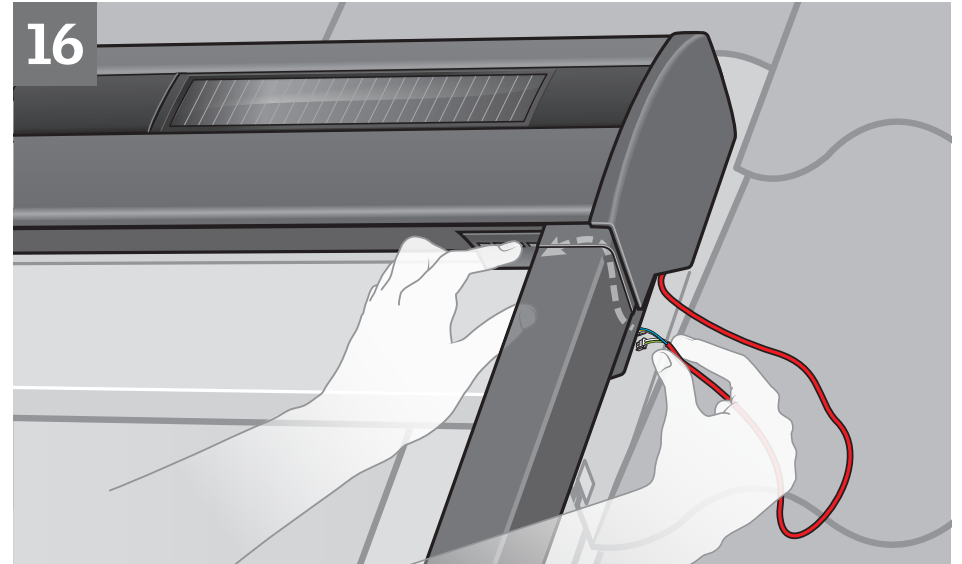
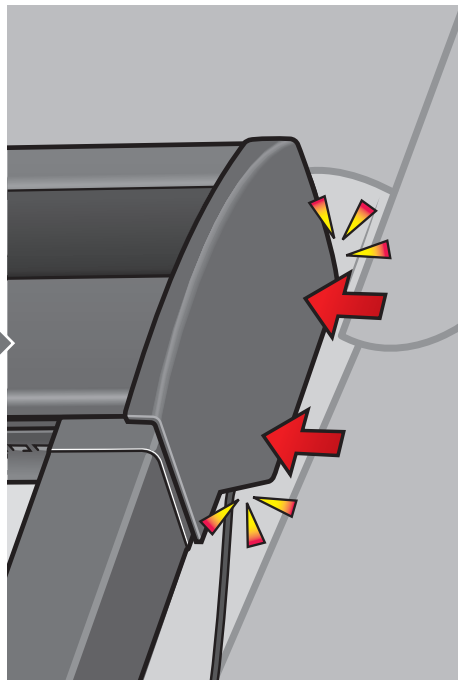
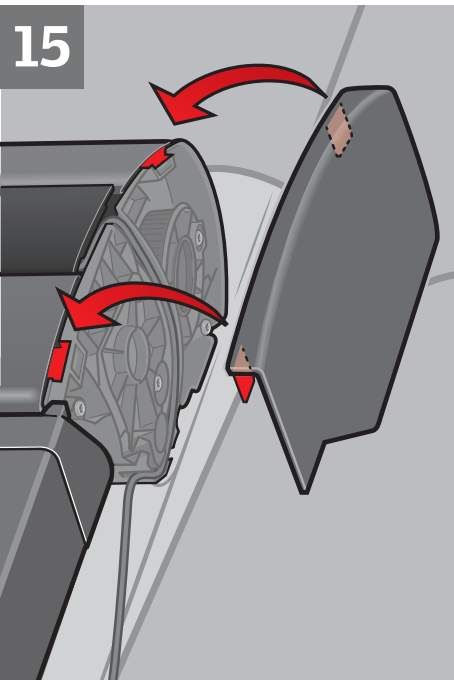
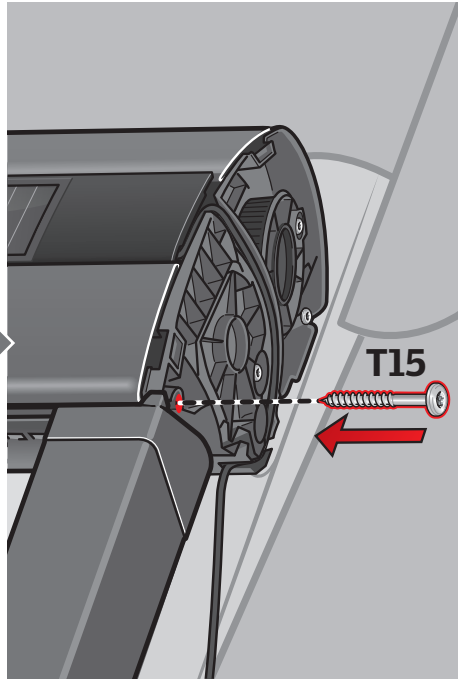
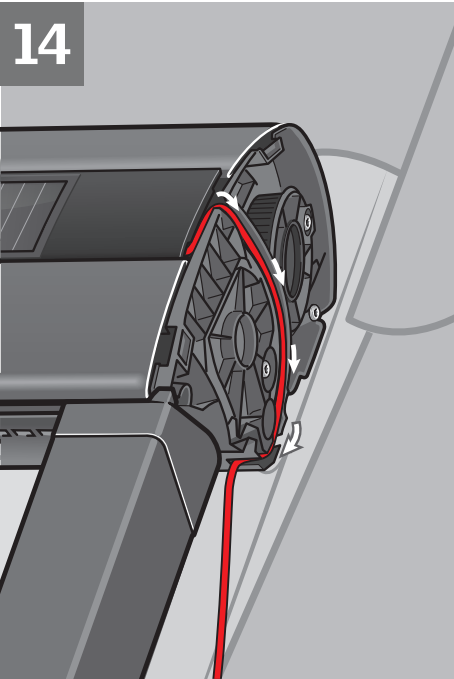
VELUX MSL

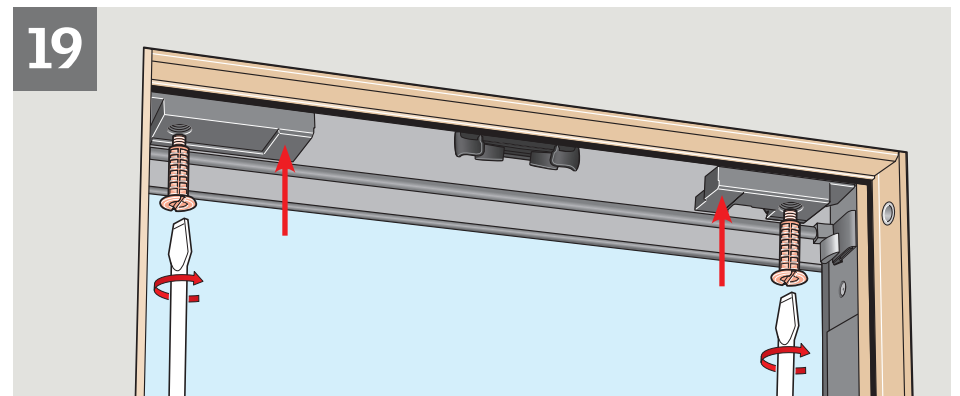
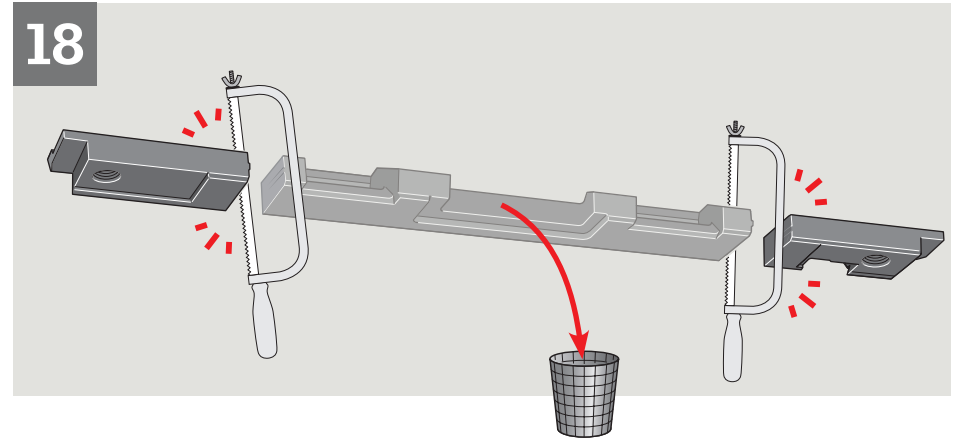
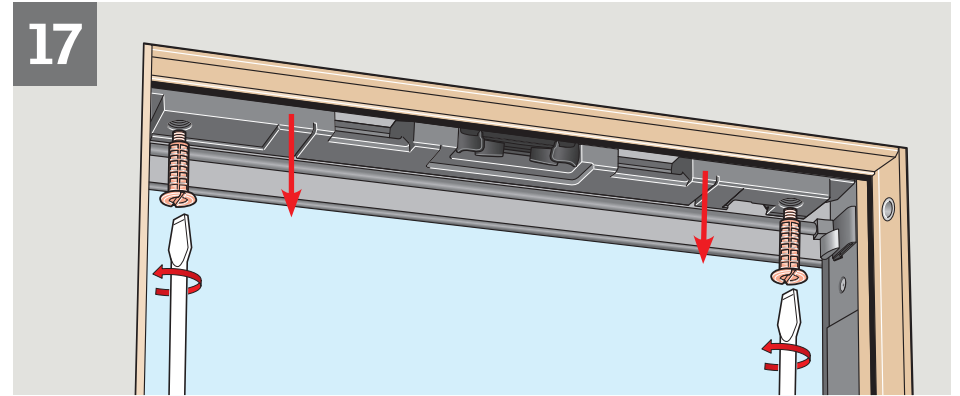
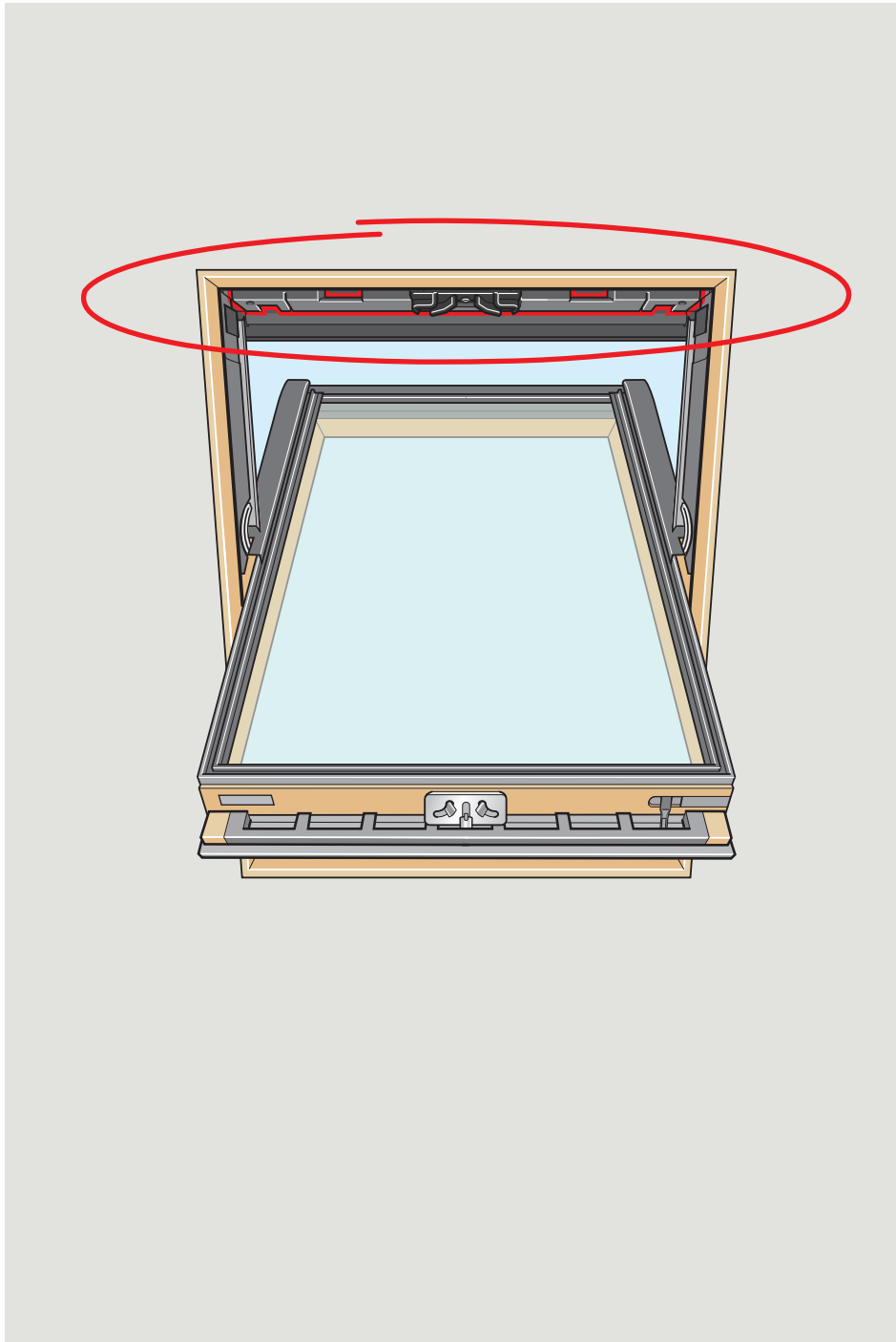






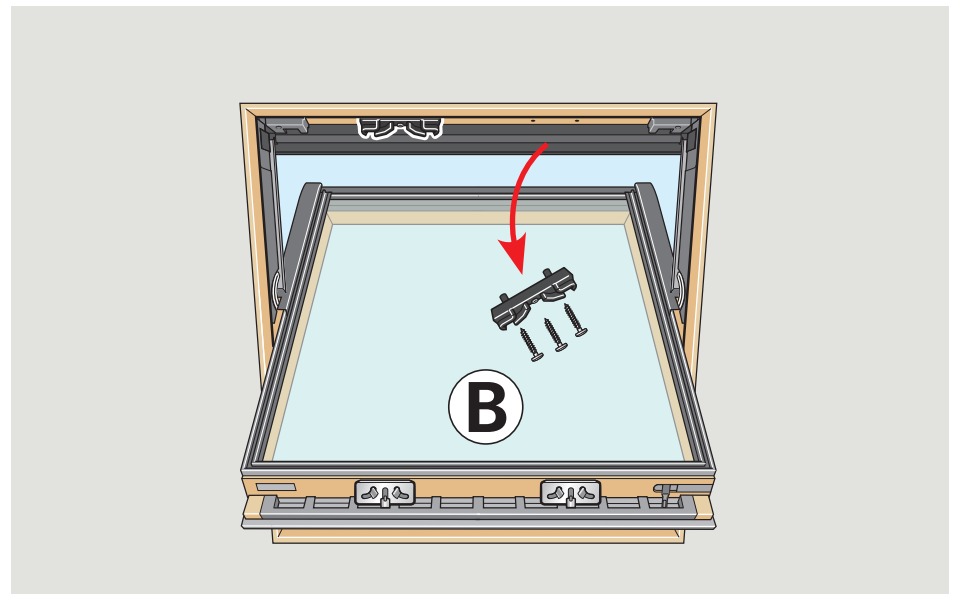
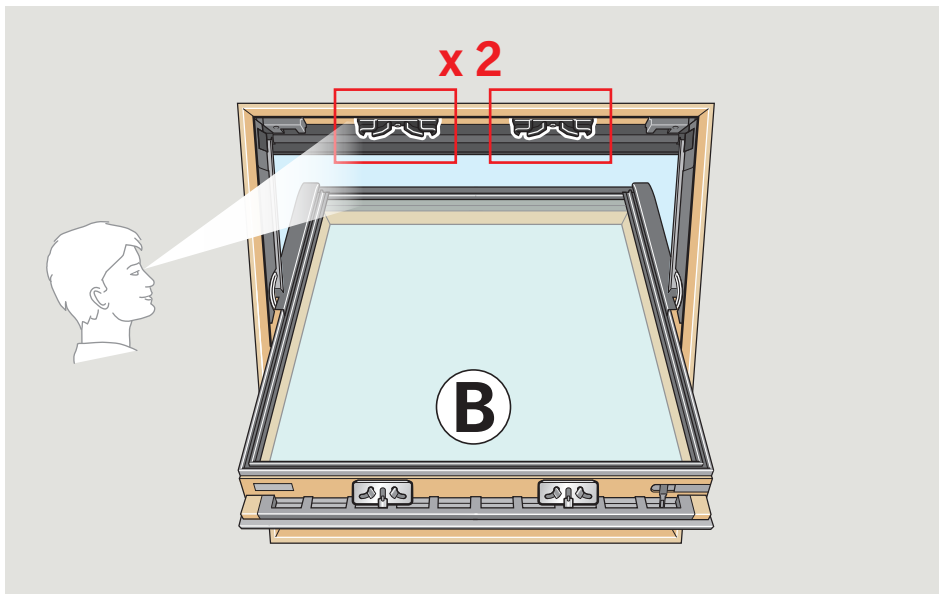
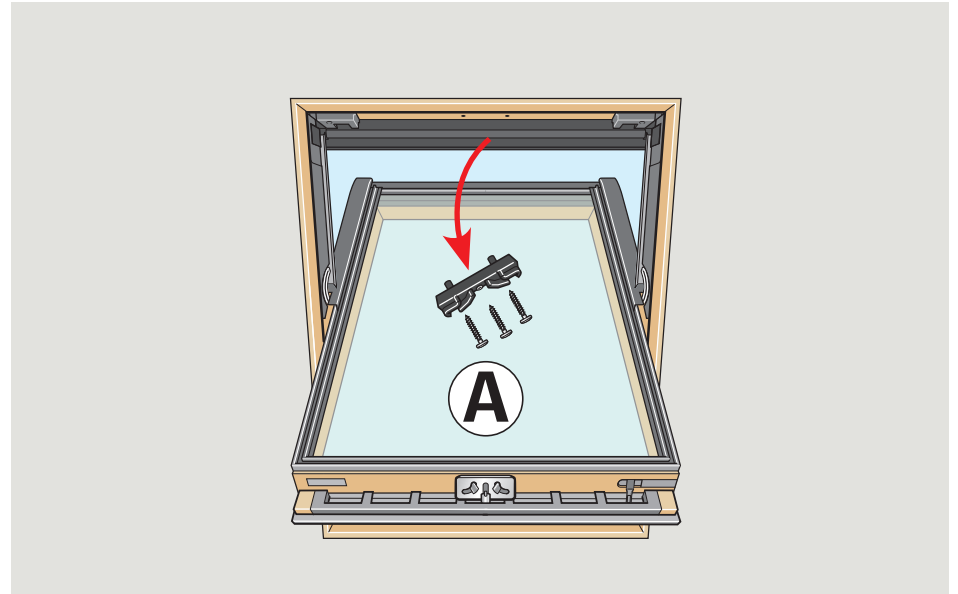
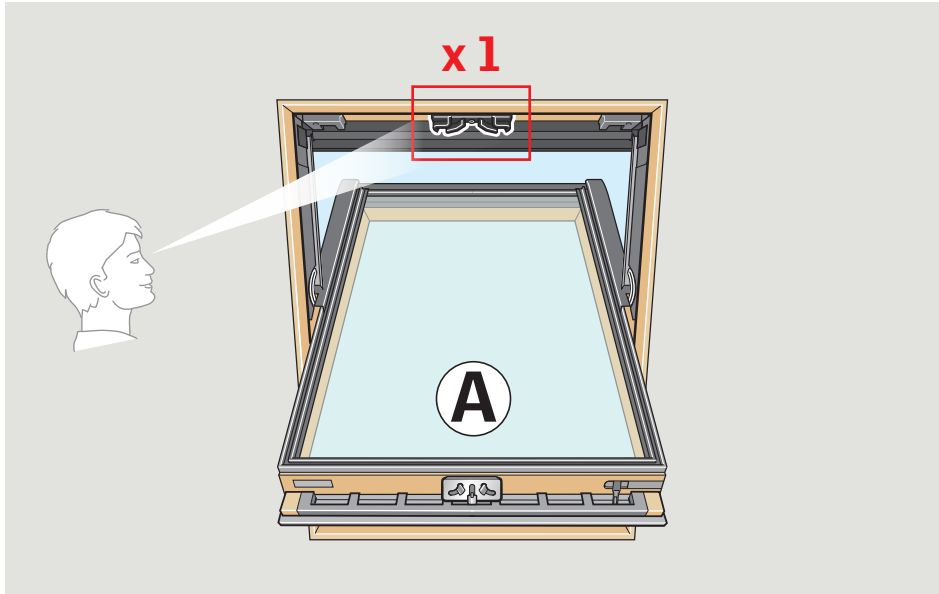




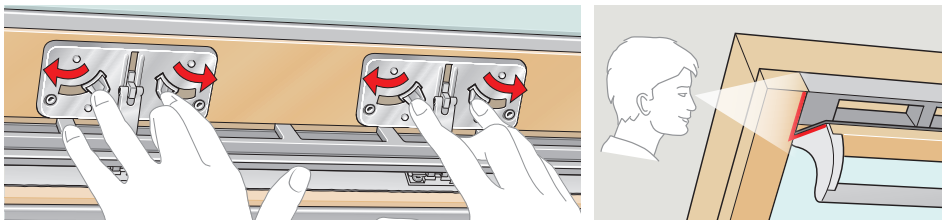
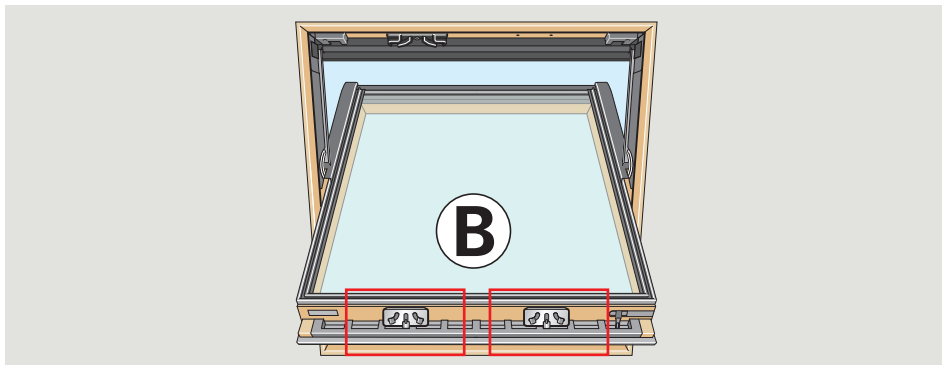
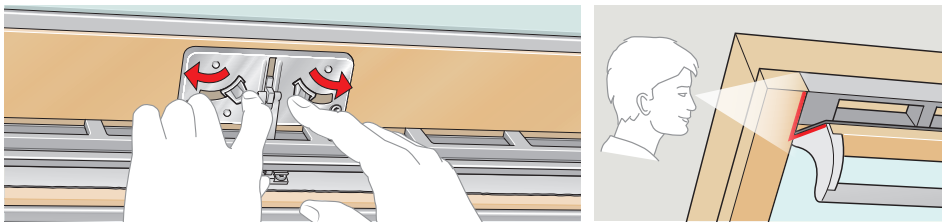
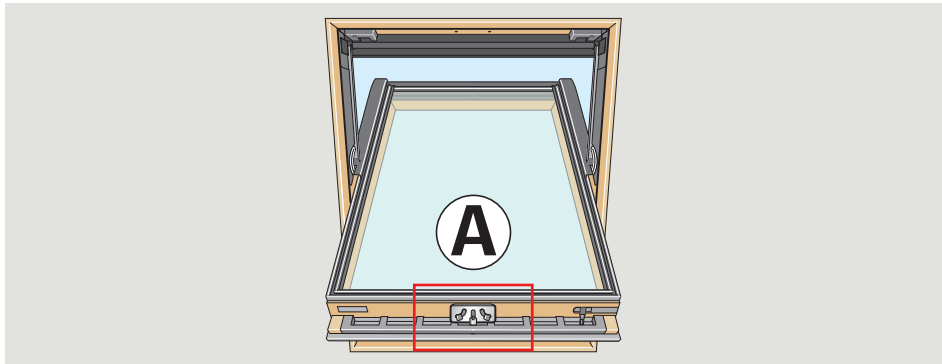


i

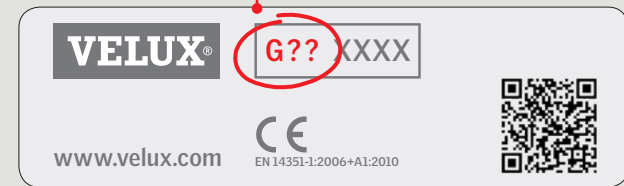
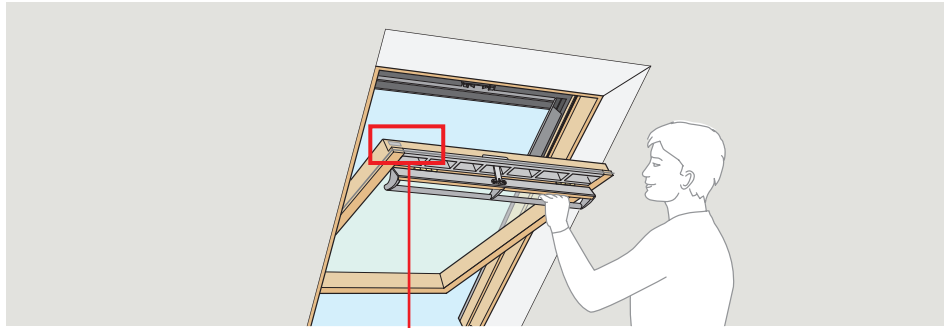
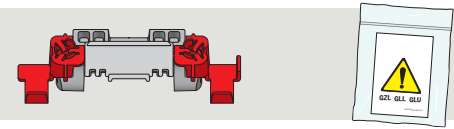
20



21



22



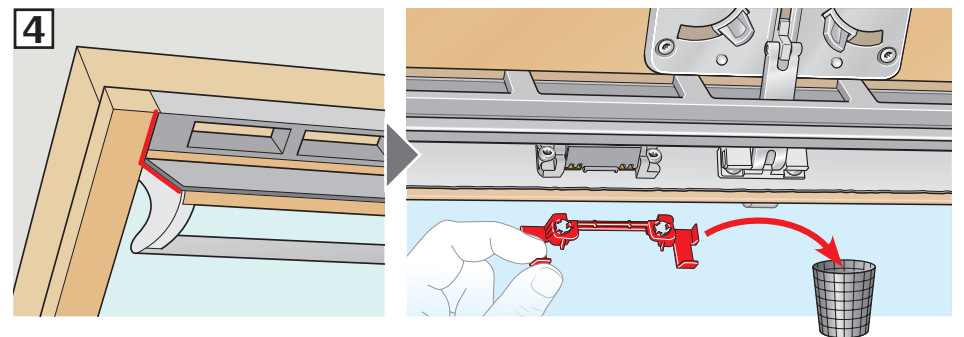
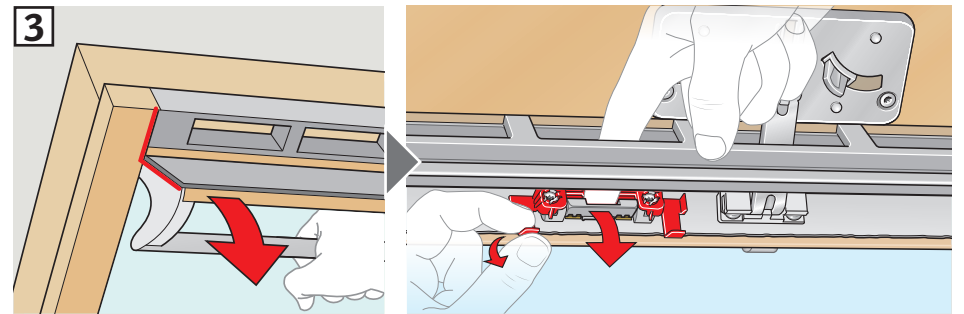
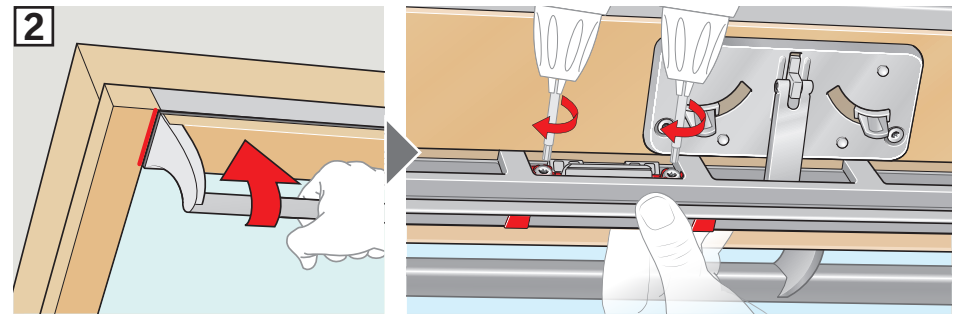
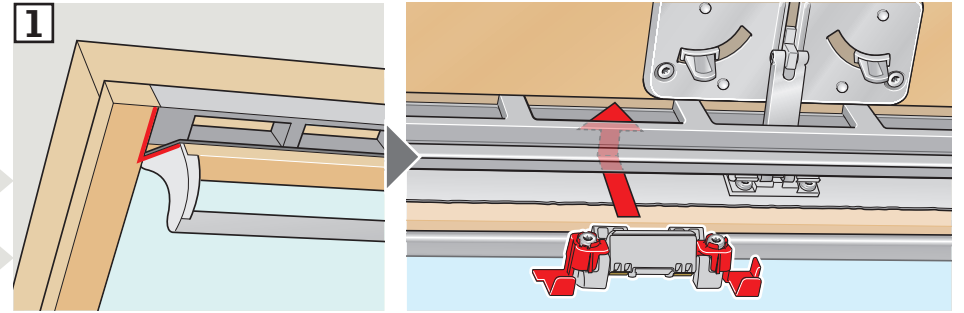
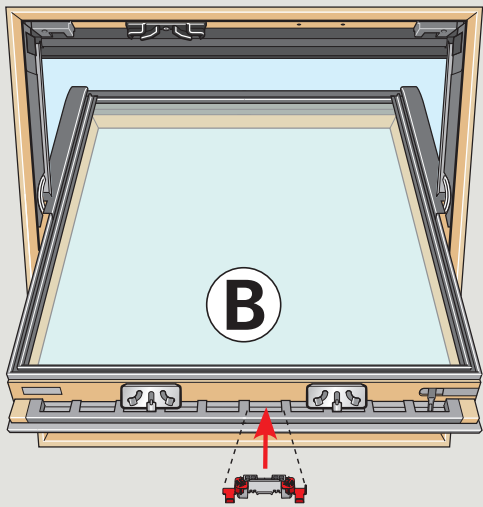
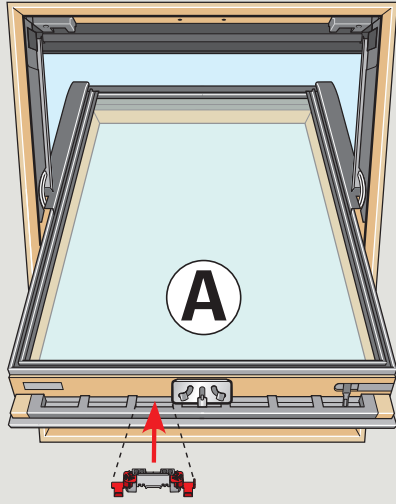
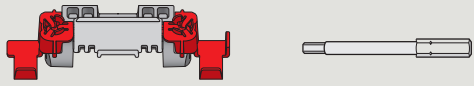
**GZL
GLL
GLU**



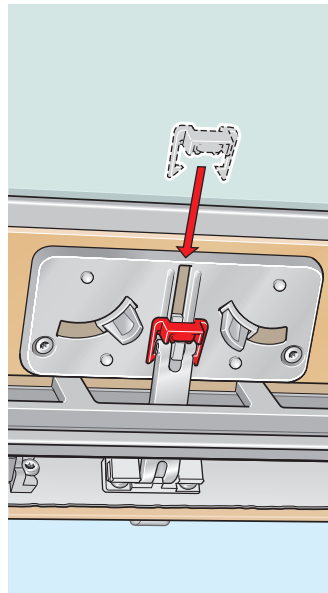
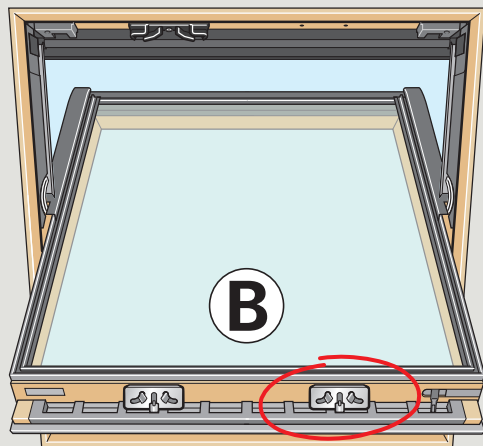
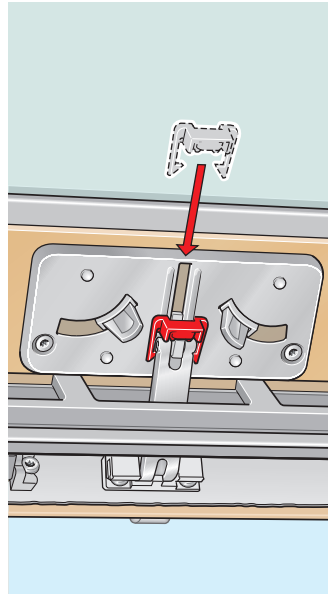
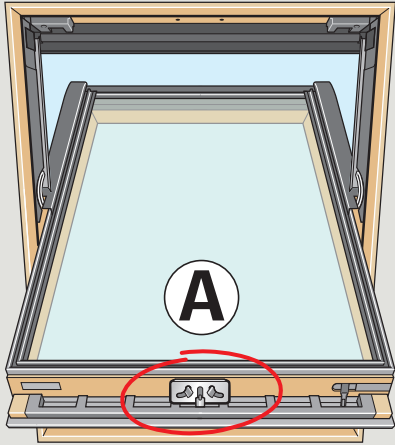
**GGL GPL
GGU GPU**



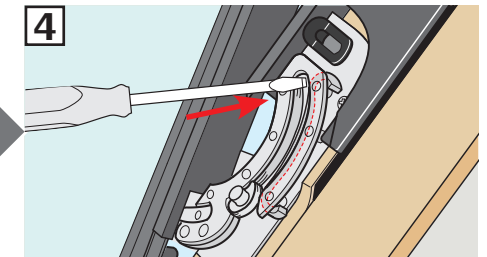
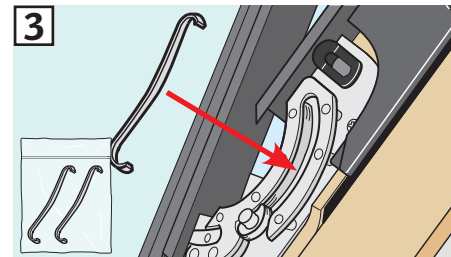
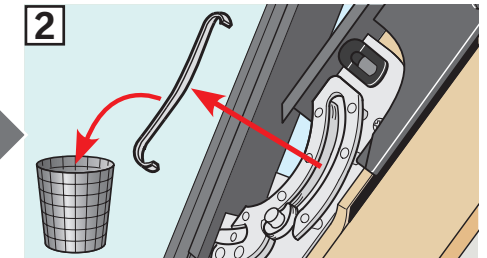
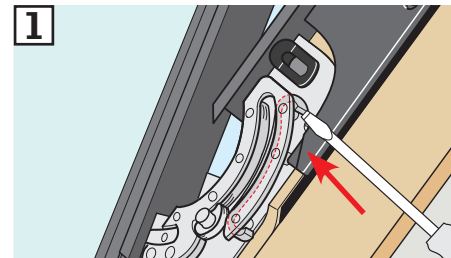
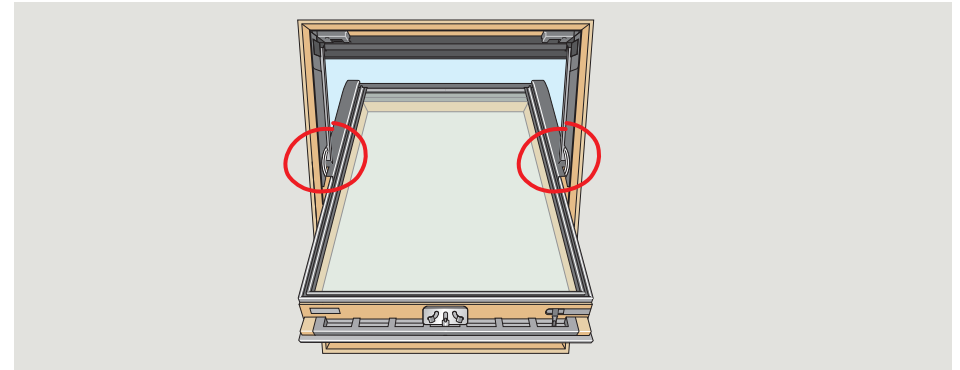
23



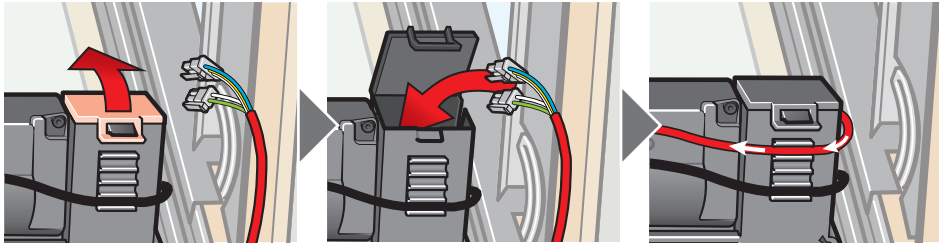
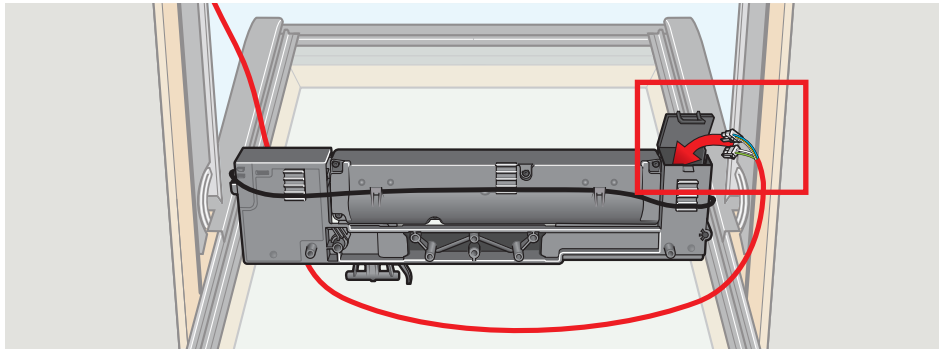
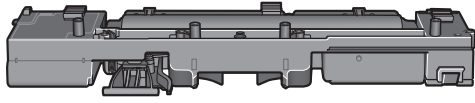
24



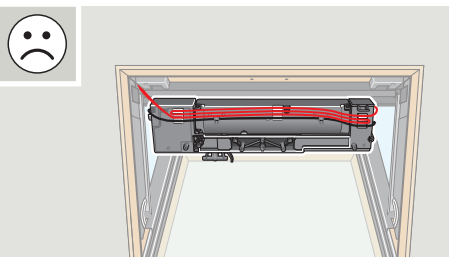
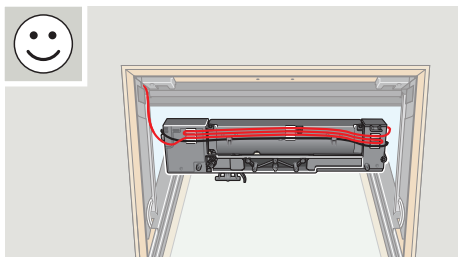
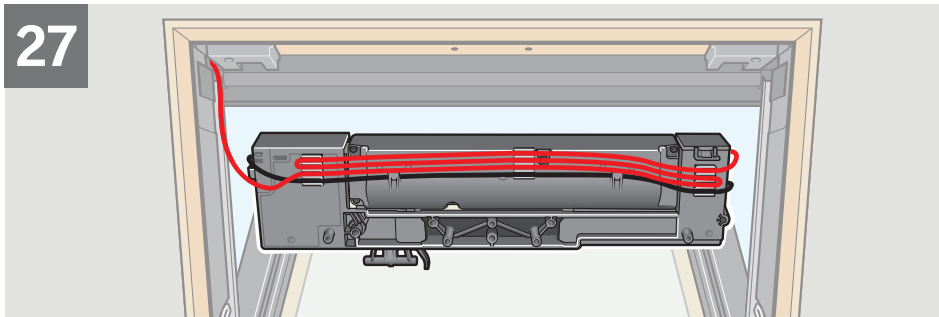
25



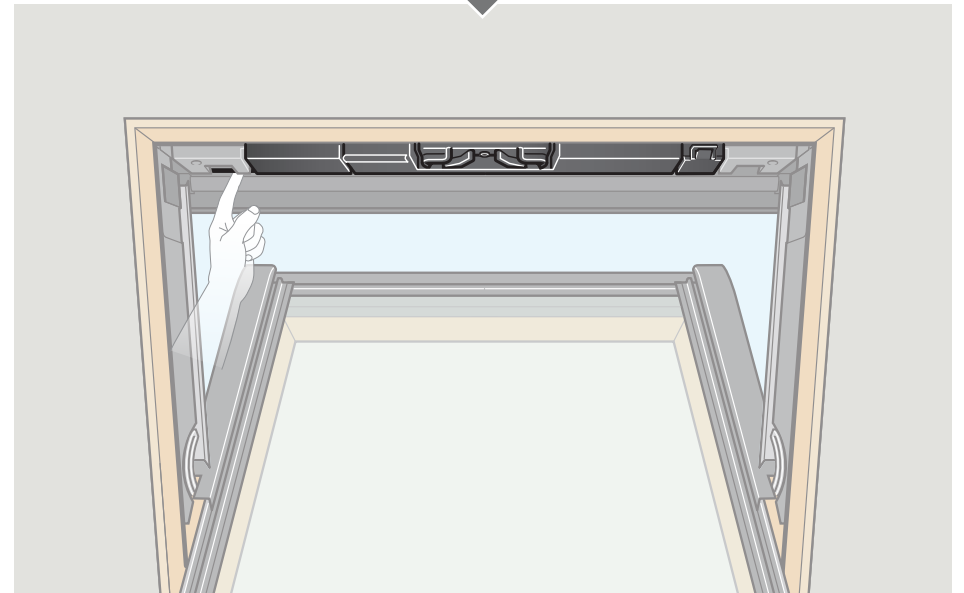
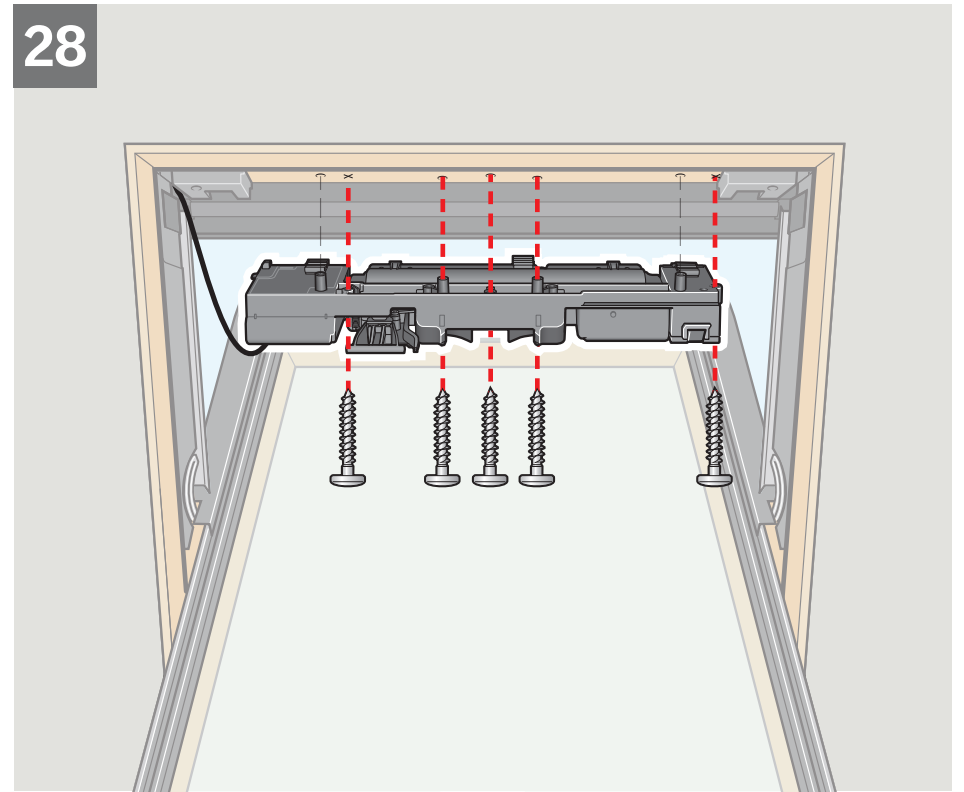
26



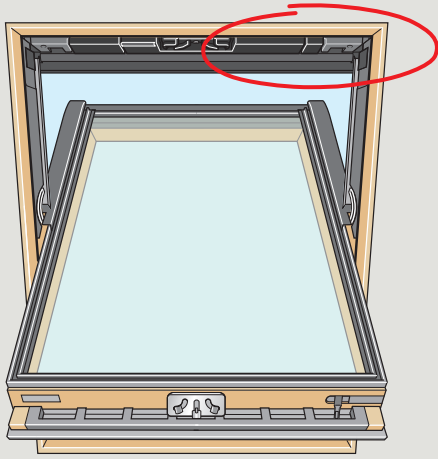
27



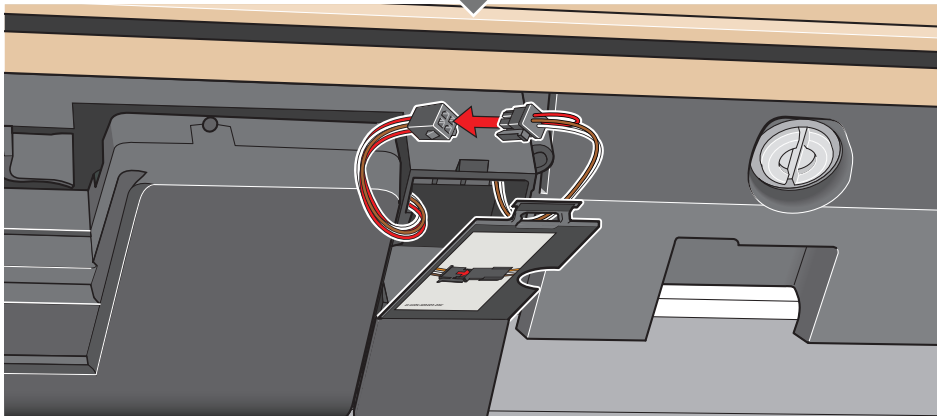
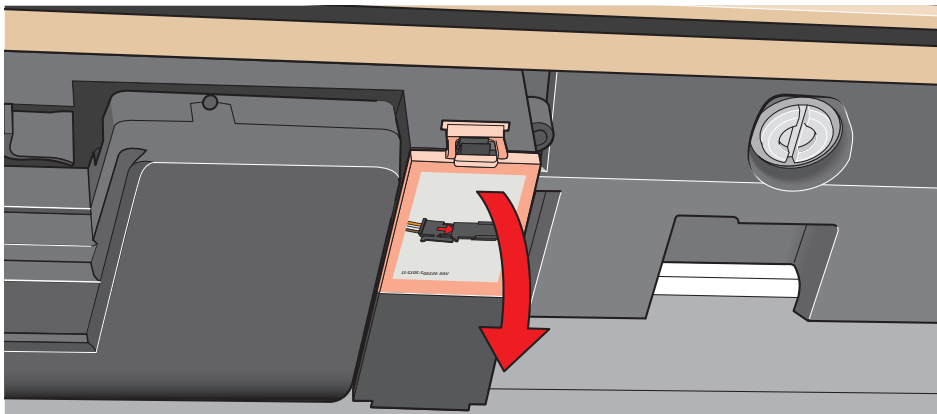
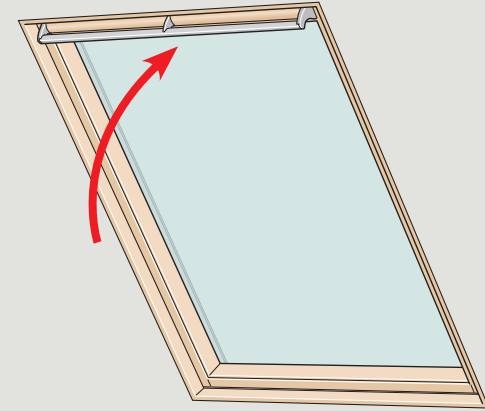
28



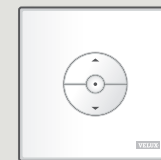
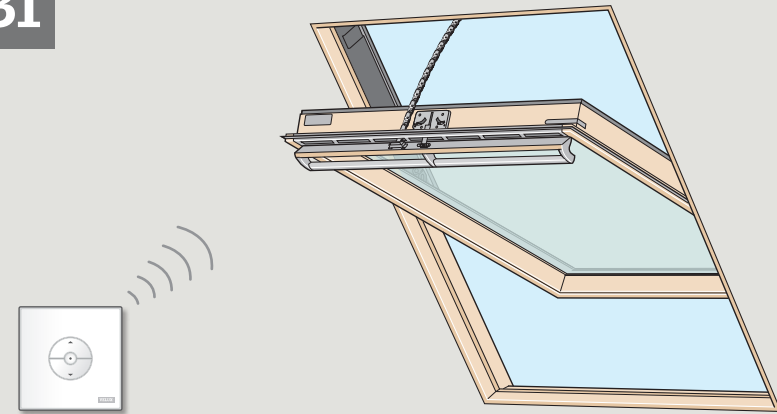
29



30



31



www.velux.com/integrasupport

- AR:** VELUX Argentina S.A.
348 4 639944
- AT:** VELUX Österreich GmbH
02245/32 3 50
- AU:** VELUX Australia Pty. Ltd.
1300 859 856
- BA:** VELUX Bosna i Hercegovina d.o.o.
033/626 493, 626 494
- BE:** VELUX Belgium
(010) 42.09.09
- BG:** ВЕЛУКС България ЕООД
02/955 99 30
- BY:** Унитарное предприятие
"ВЕЛЮКС Мансардные Окна"
(017) 329 20 89
- CA:** VELUX Canada Inc.
1 800 88-VELUX (888-3589)
- CH:** VELUX Schweiz AG
062 289 44 45
- CL:** VELUX Chile SpA
2 953 6789
- CN:** VELUX (CHINA) CO. LTD.
0316-607 27 27
- CZ:** VELUX Česká republika, s.r.o.
531 015 511
- DE:** VELUX Deutschland GmbH
040 / 54 70 70
- DK:** VELUX Danmark A/S
45 16 45 16
- EE:** VELUX Eesti OÜ
621 7790
- ES:** VELUX Spain, S.A.
91 509 71 00
- FI:** VELUX Suomi Oy
0207 290 800
- FR:** VELUX France
0821 02 15 15
0,119€ TTC/min
- GB:** VELUX Company Ltd.
01592 778 225
- HR:** VELUX Hrvatska d.o.o.
01/5555 444
- HU:** VELUX Magyarország Kft.
(06/1) 436-0601
- IE:** VELUX Company Ltd.
01 848 8775
- IT:** VELUX Italia s.p.a.
045/6173666
- JP:** VELUX-Japan Ltd.
0570-00-8141
- LT:** VELUX Lietuva, UAB
(85) 270 91 01
- LV:** VELUX Latvia SIA
67 27 77 33
- NL:** VELUX Nederland B.V.
030 - 6 629 629
- NO:** VELUX Norge AS
22 51 06 00
- NZ:** VELUX New Zealand Ltd.
0800 650 445
- PL:** VELUX Polska Sp. z o.o.
(022) 33 77 000 / 33 77 070
- PT:** VELUX Portugal, Lda
21 880 00 60
- RO:** VELUX România S.R.L.
0-8008-83589
- RS:** VELUX Srbija d.o.o.
011 20 57 500
- RU:** ЗАО ВЕЛЮКС
(495) 640 87 20
- SE:** VELUX Svenska AB
042/20 83 80
- SI:** VELUX Slovenija d.o.o.
01 724 68 68
- SK:** VELUX Slovensko, s.r.o.
(02) 33 000 555
- TR:** VELUX Çatı Pencereleri
Ticaret Limited Şirketi
0 216 302 54 10
- UA:** ТОВ "ВЕЛЮКС Україна"
(044) 2916070
- US:** VELUX America LLC
1-800-88-VELUX