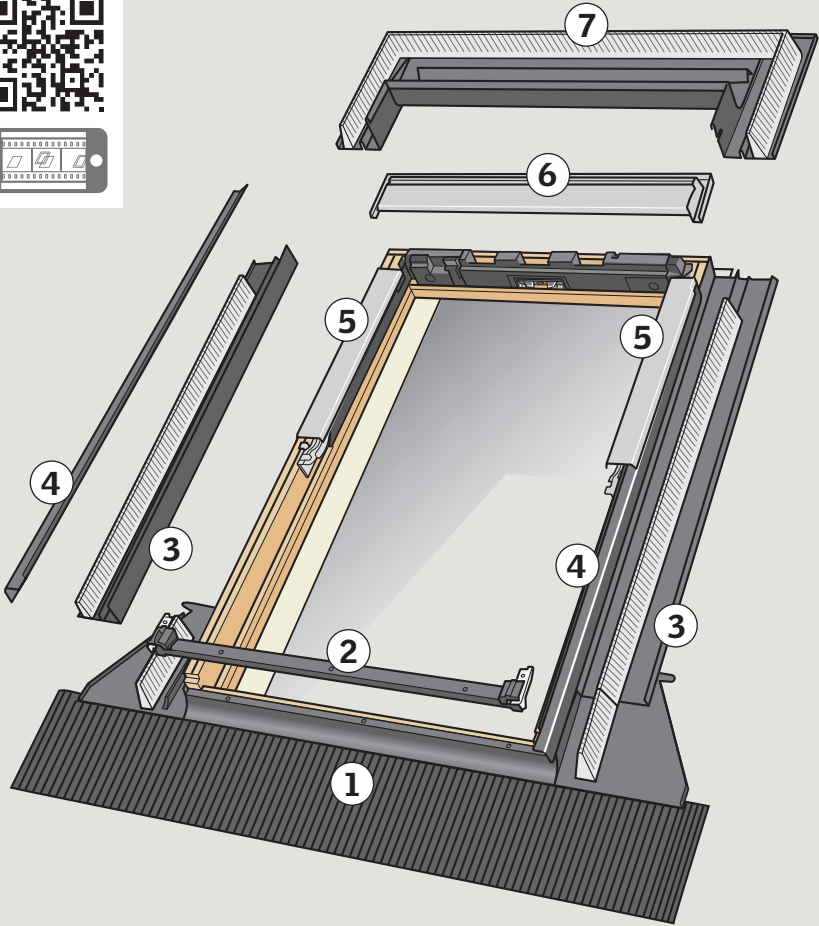
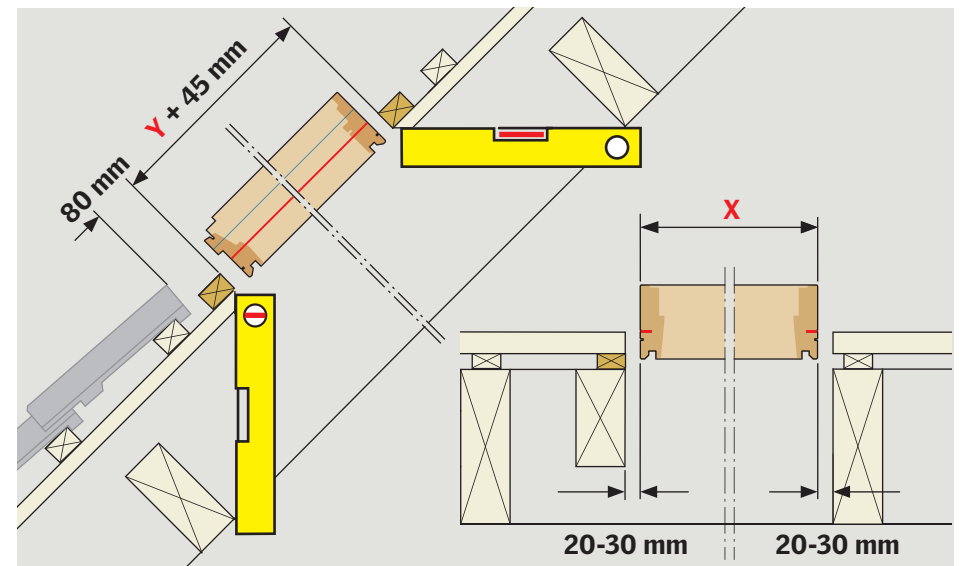
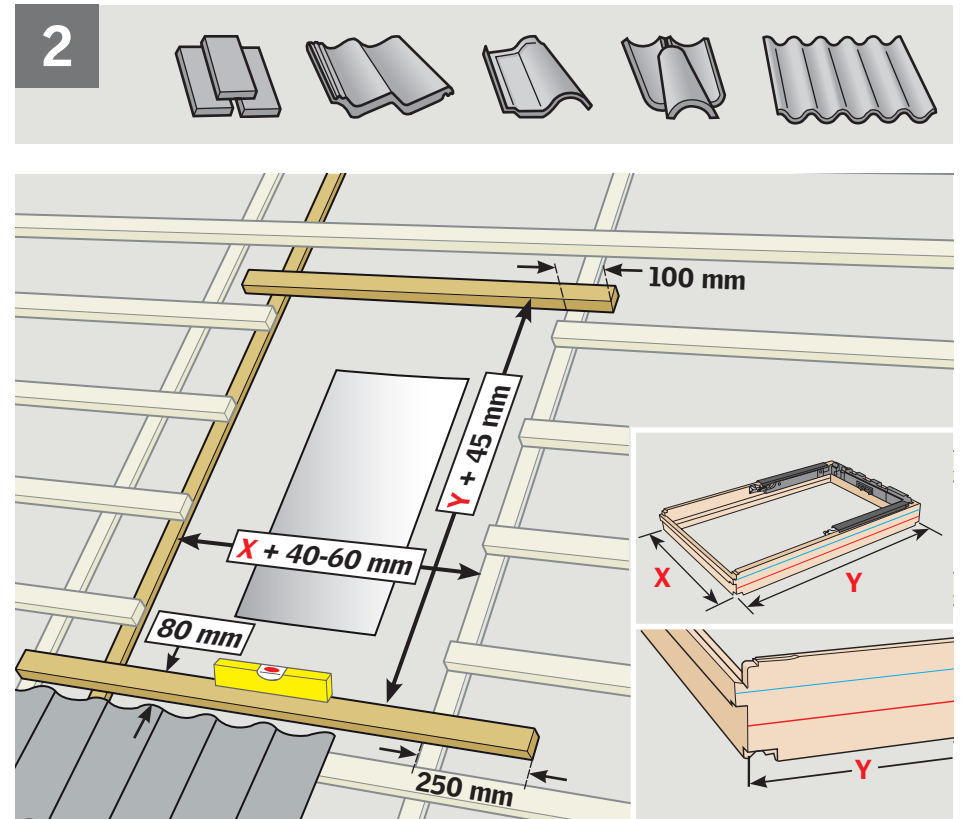
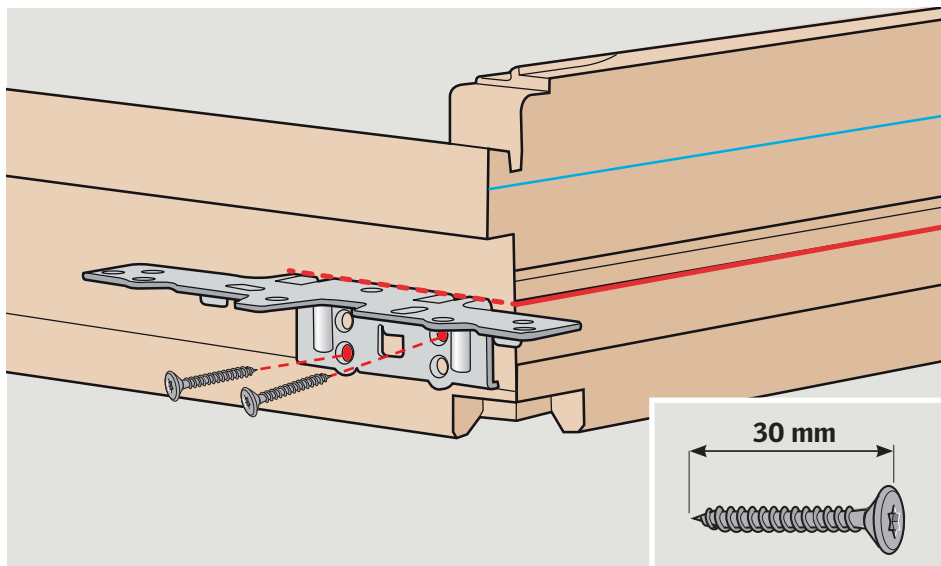
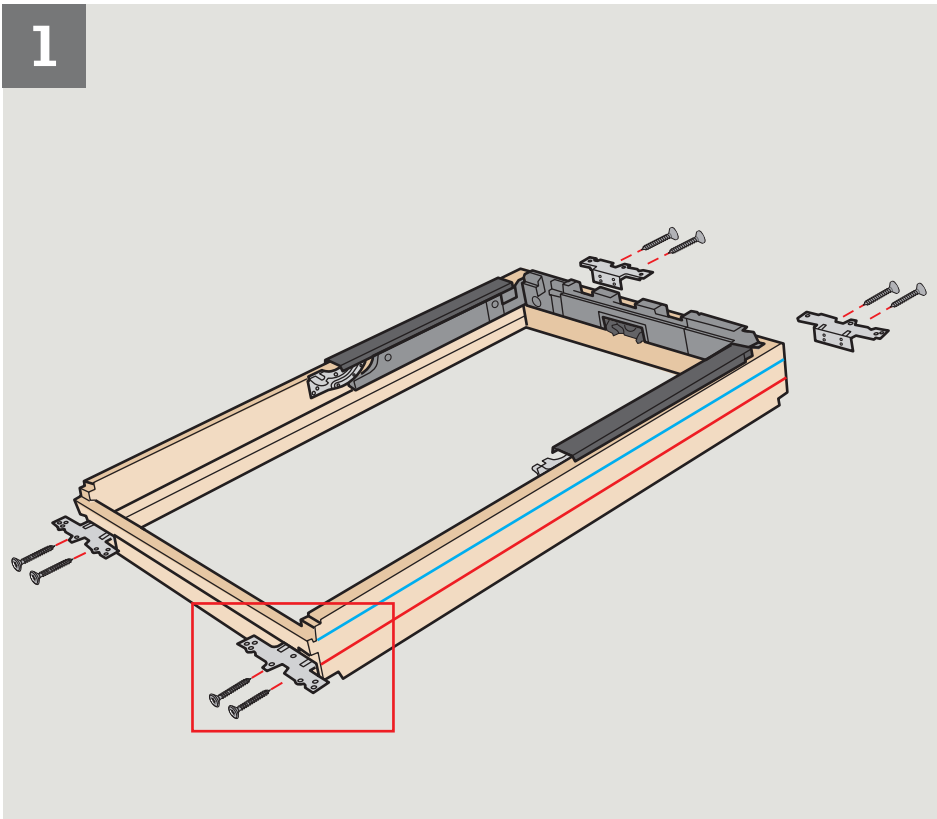
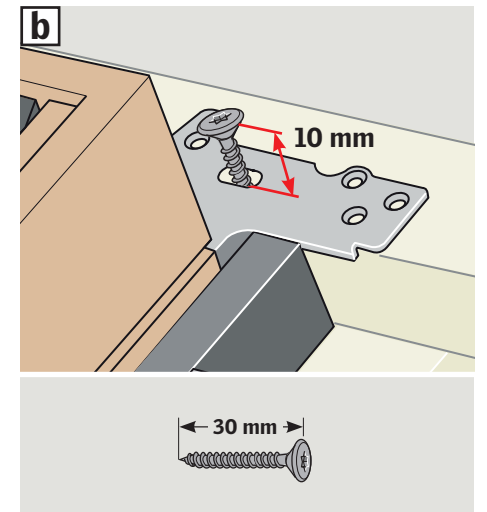
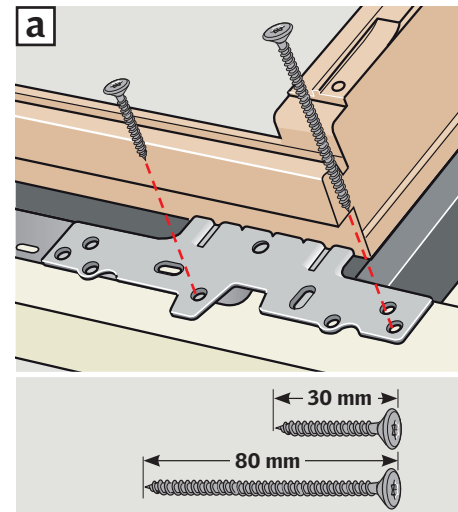
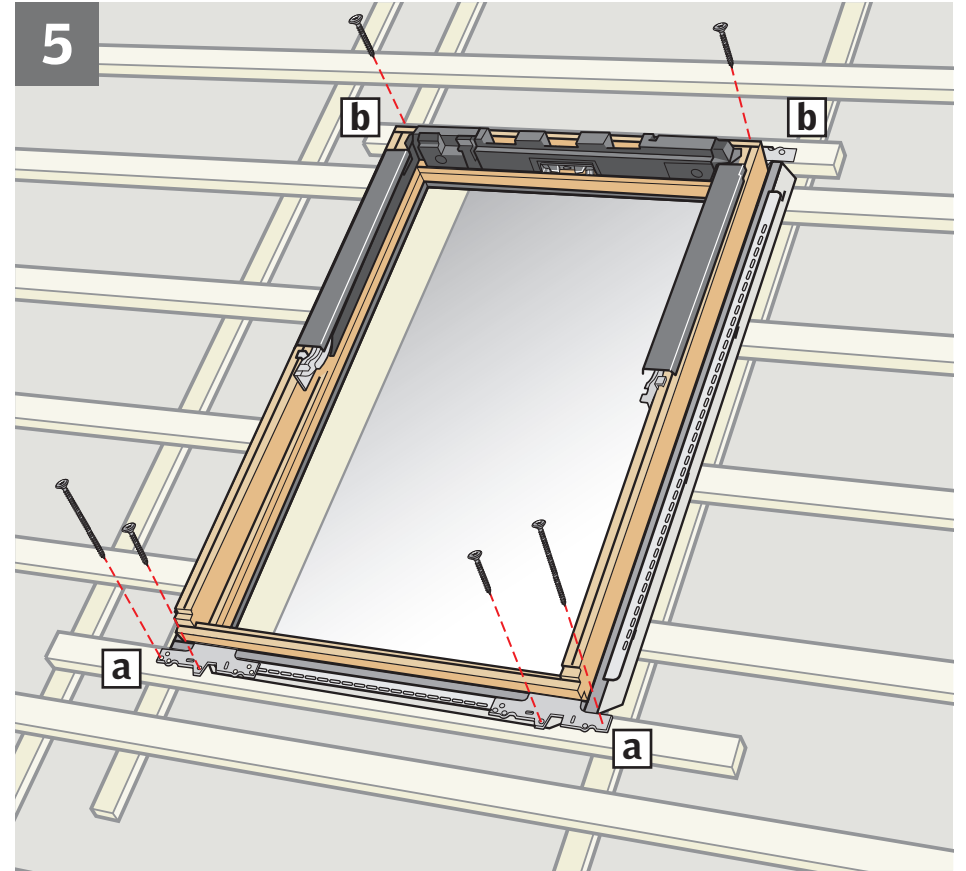
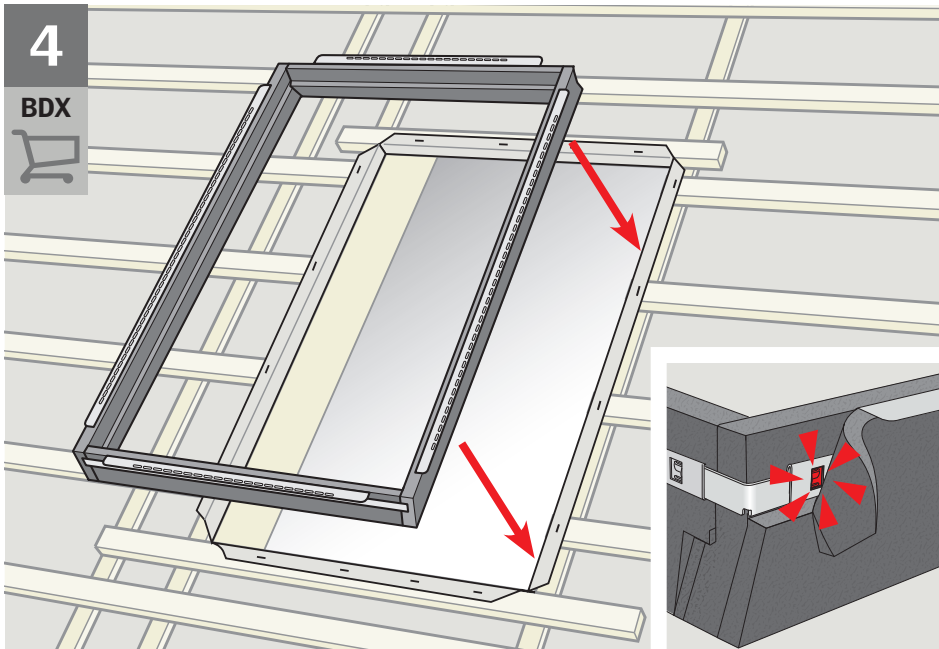
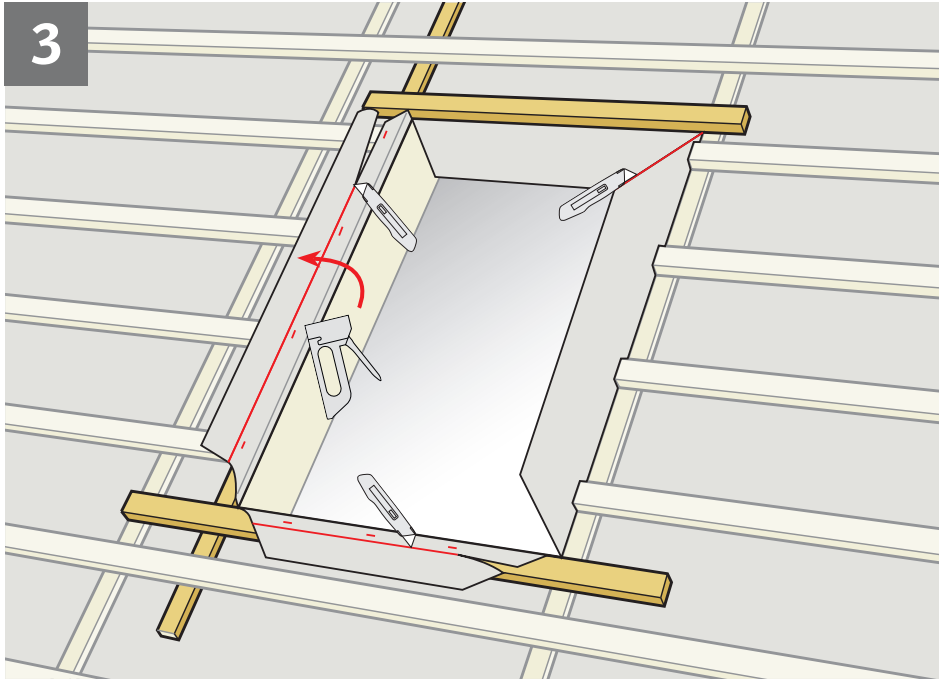
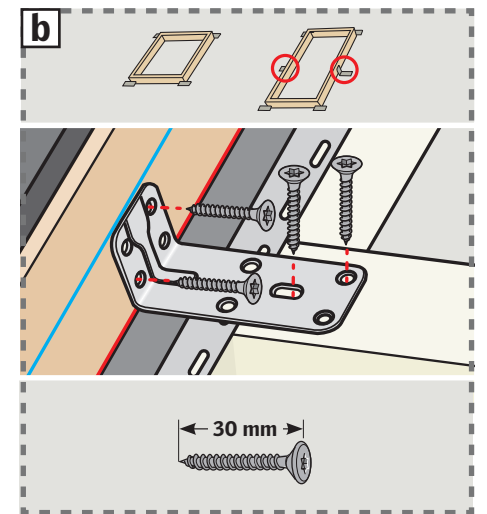
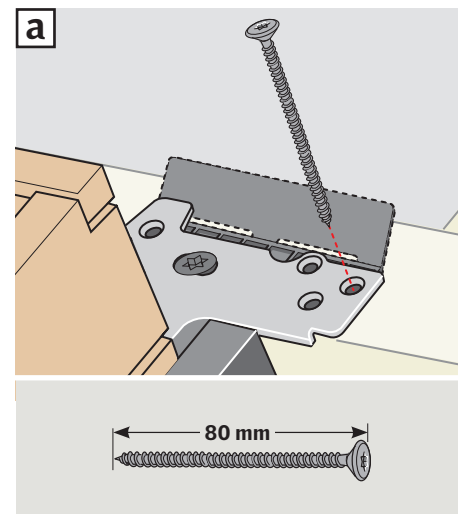
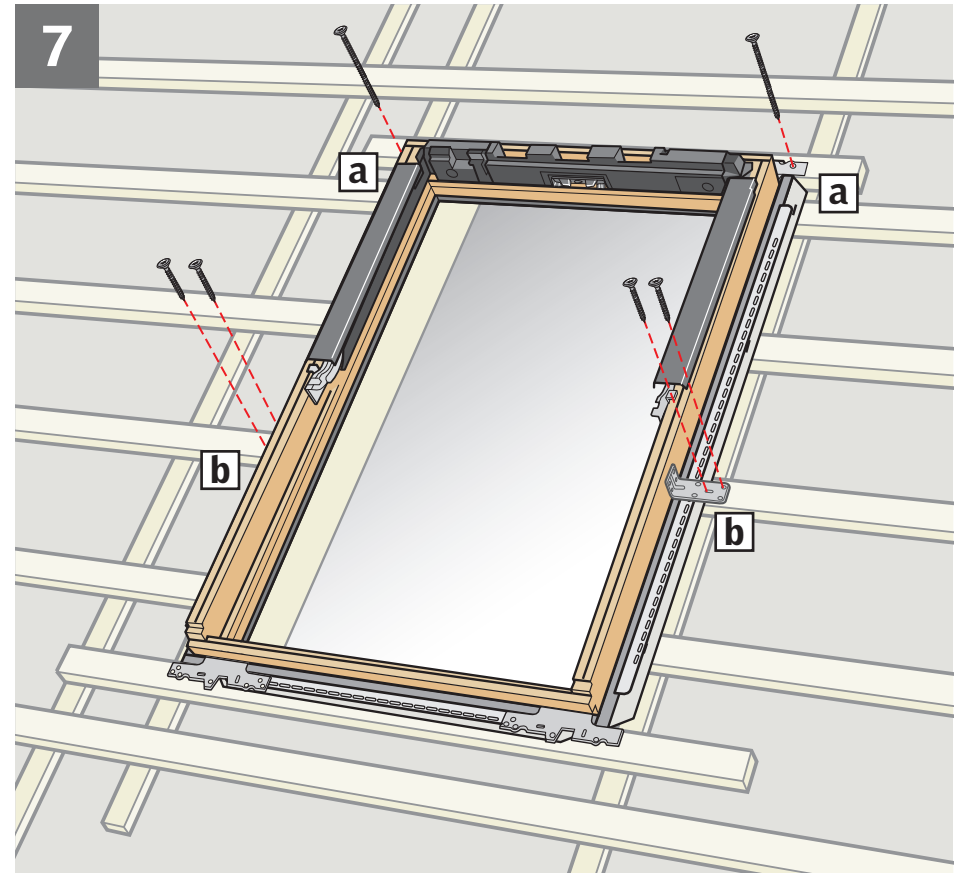
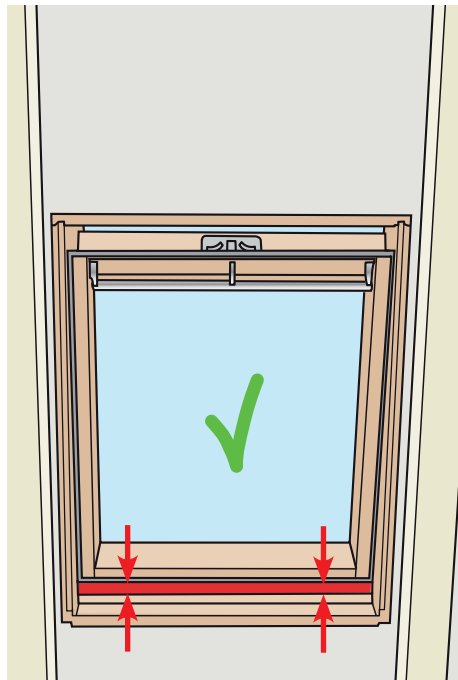
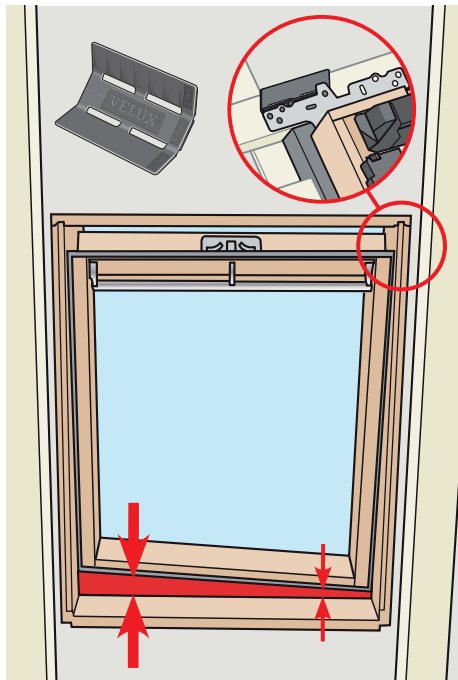
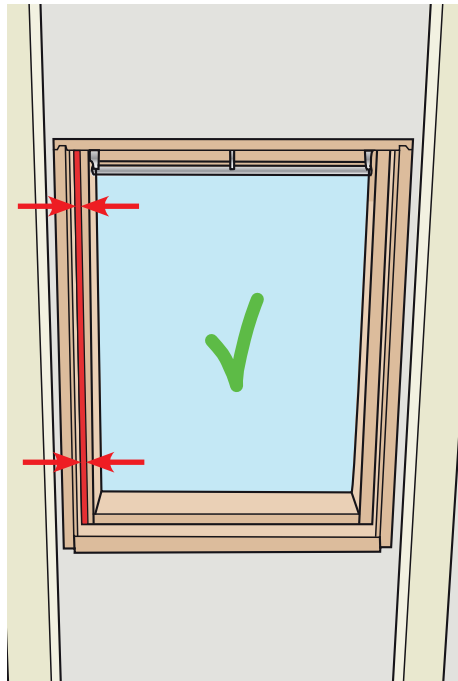
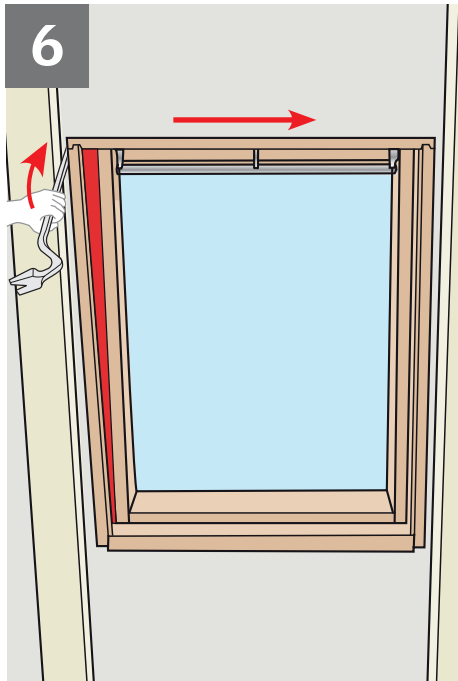


**EDW**

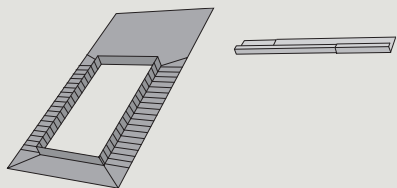




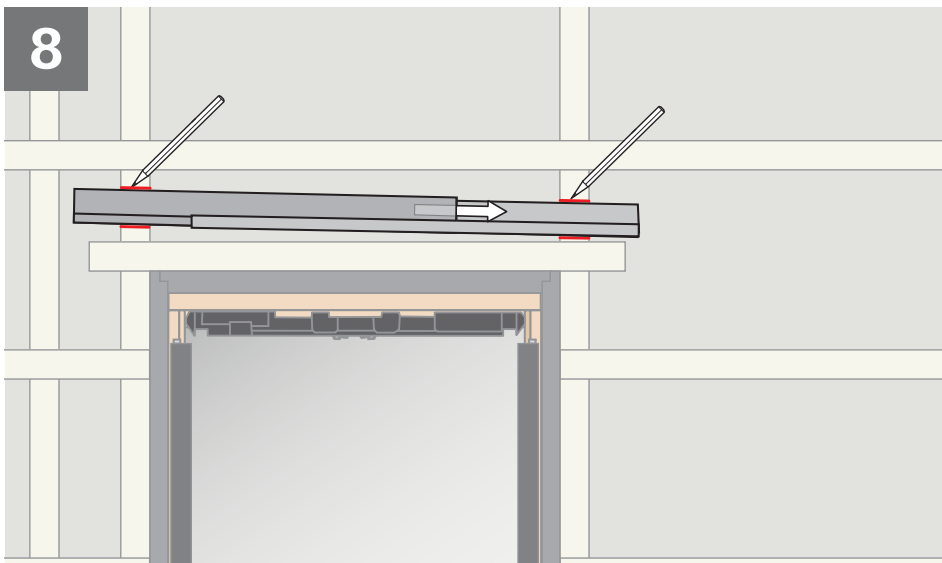




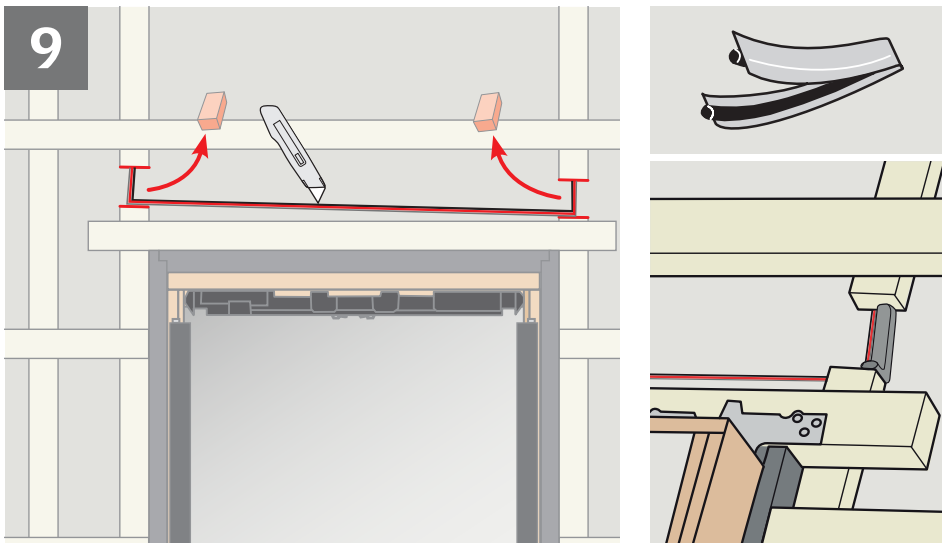
BDX  
BFX



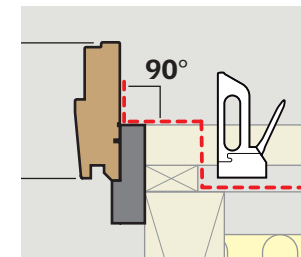
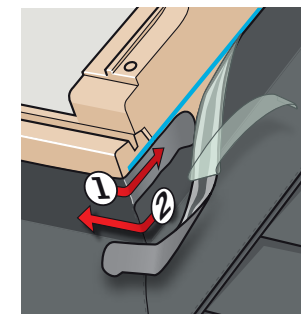
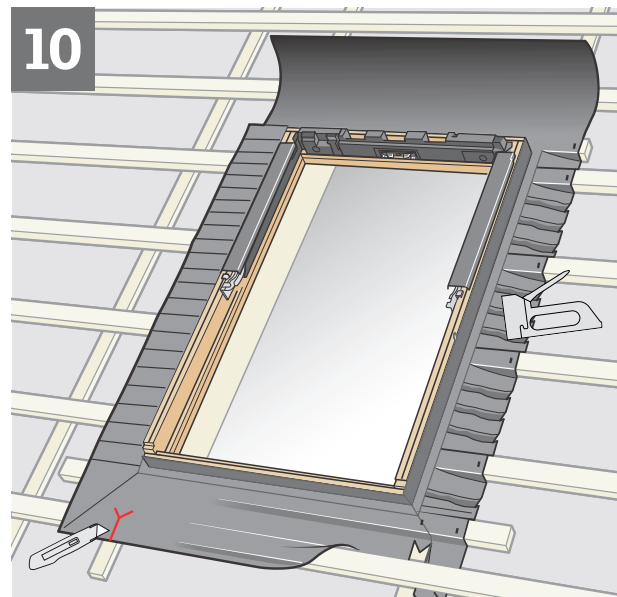
8



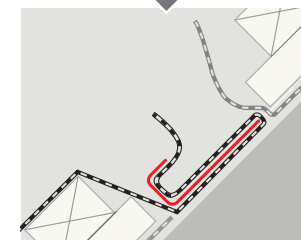
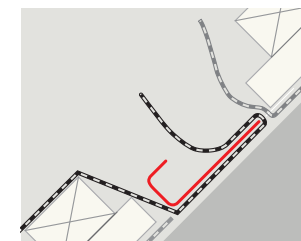
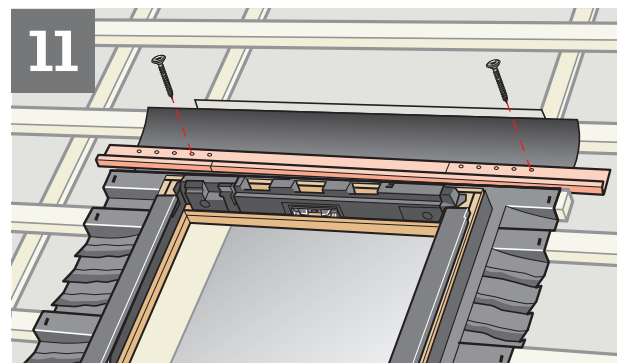
9



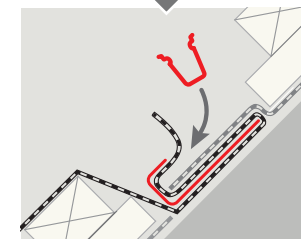
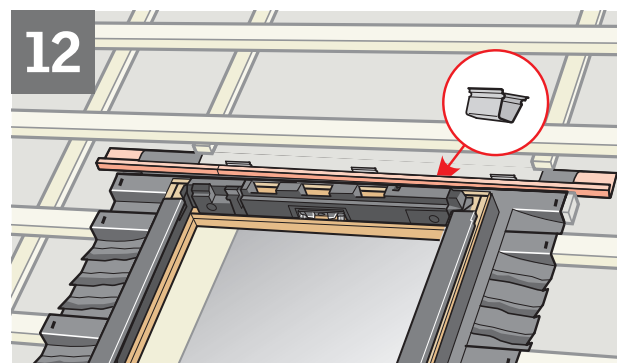
10



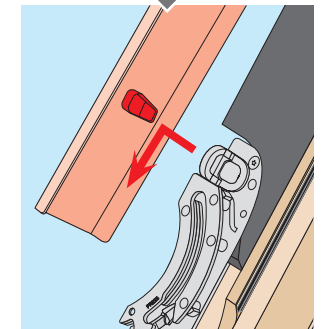
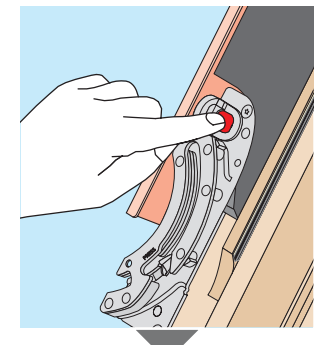
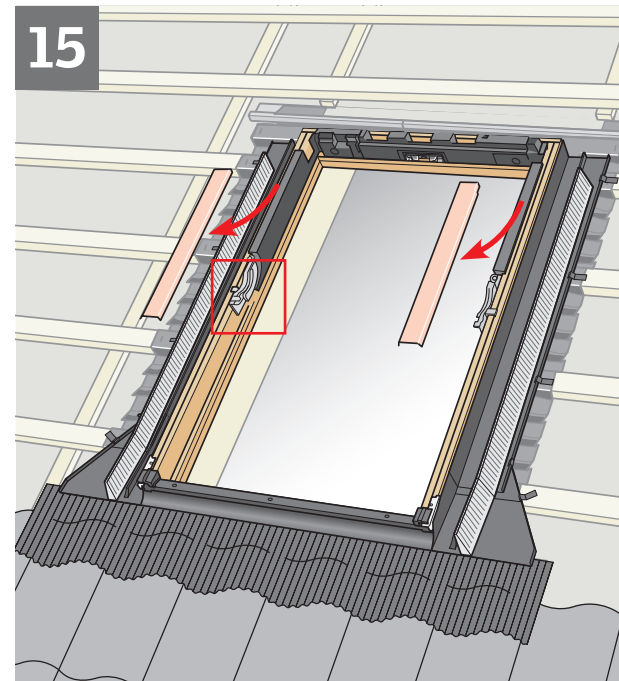
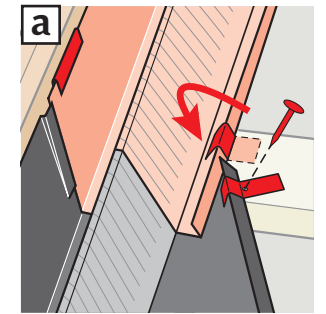
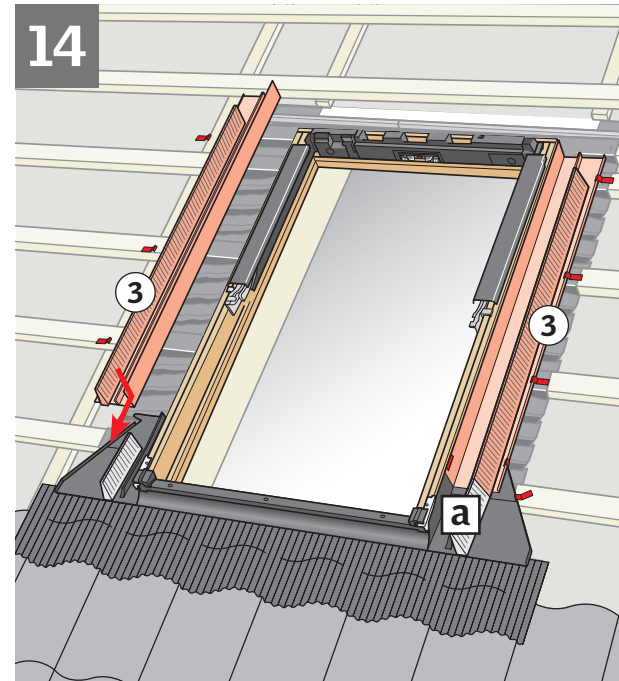
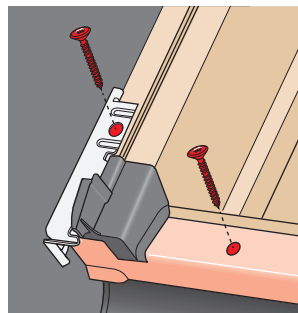
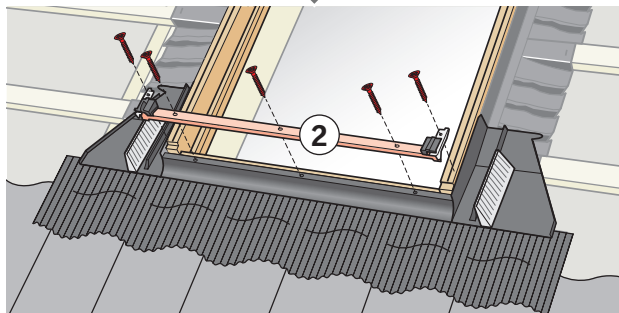
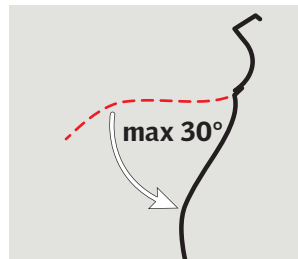
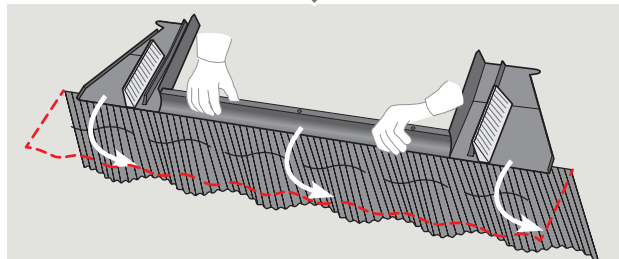
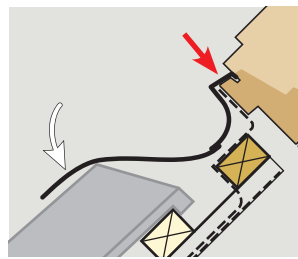
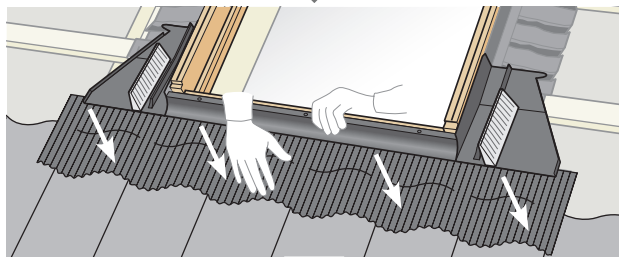
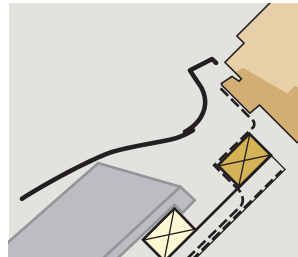
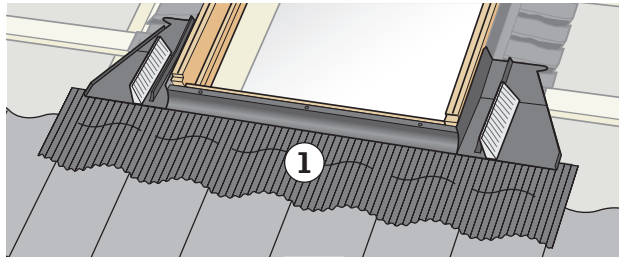
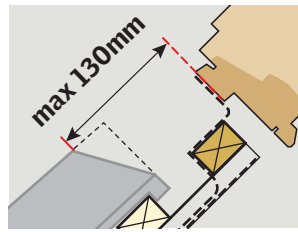
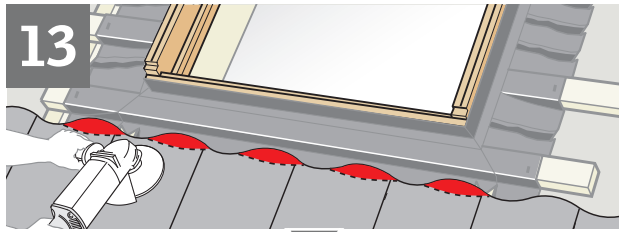
11

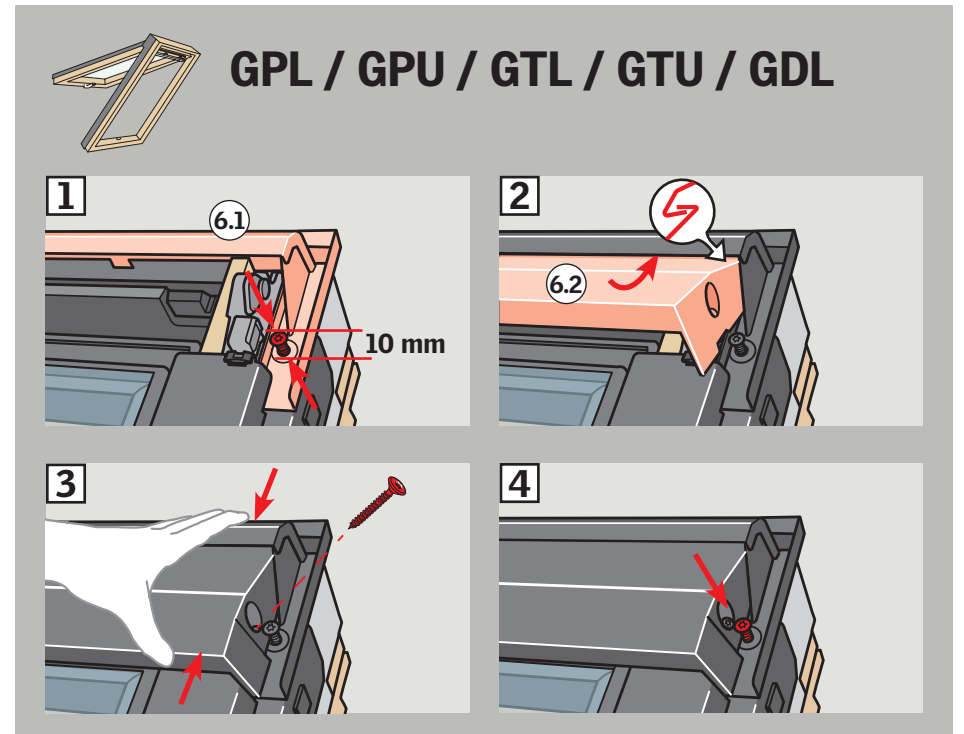
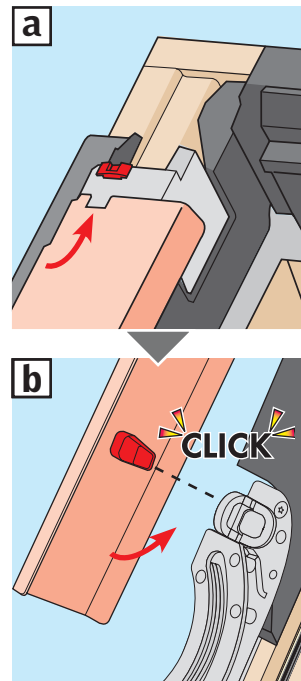
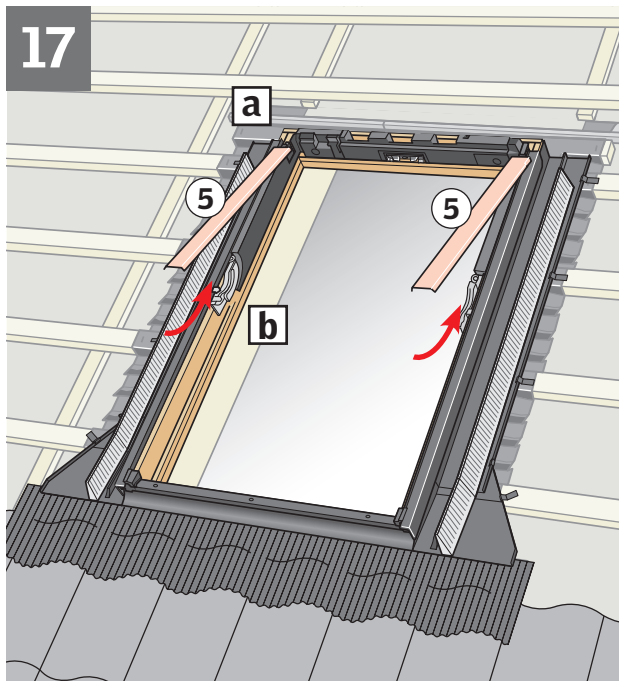
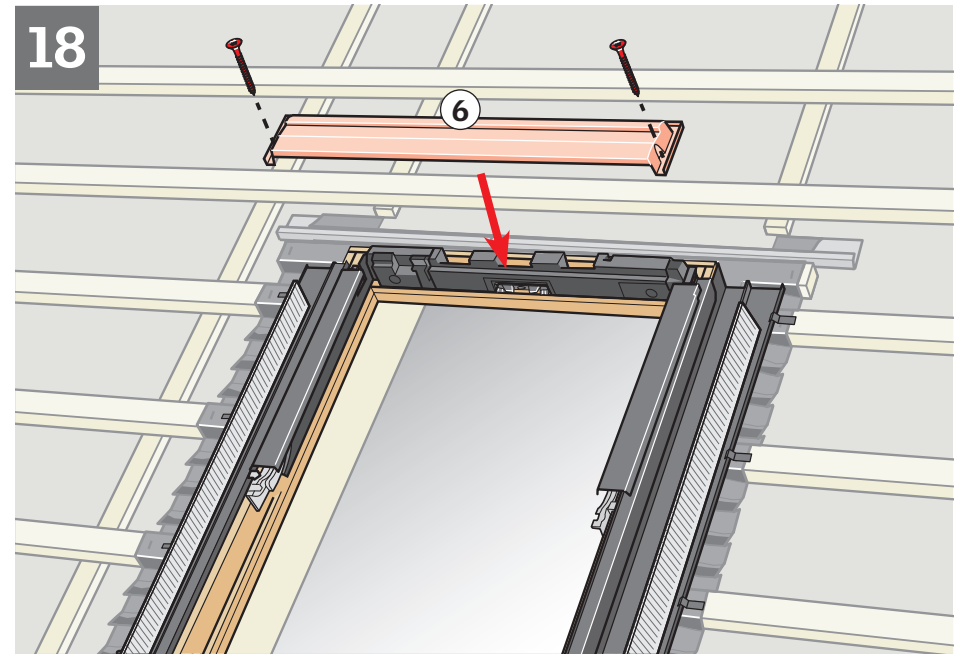
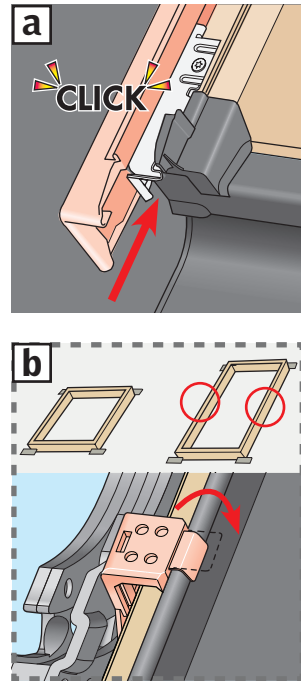
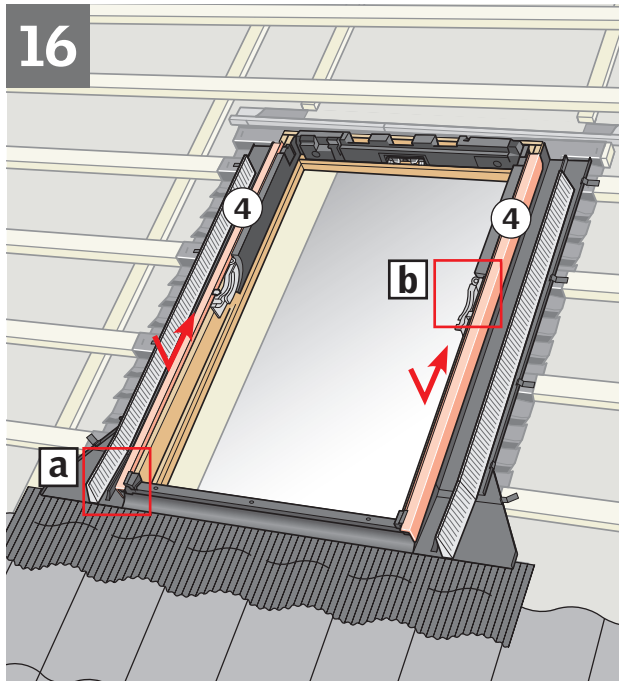


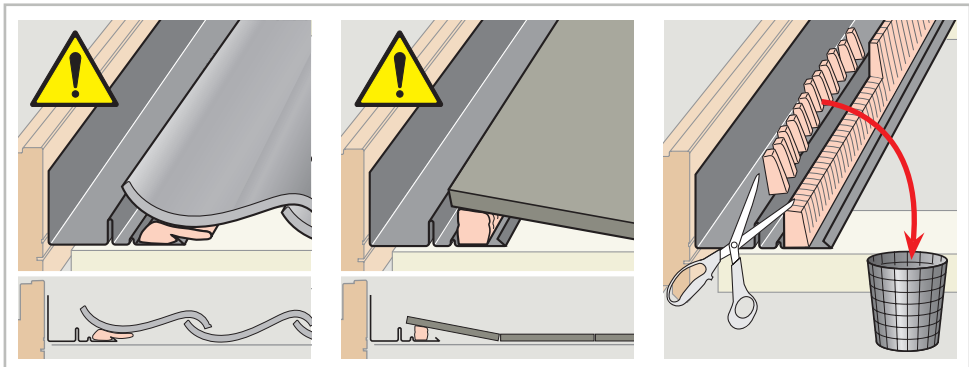
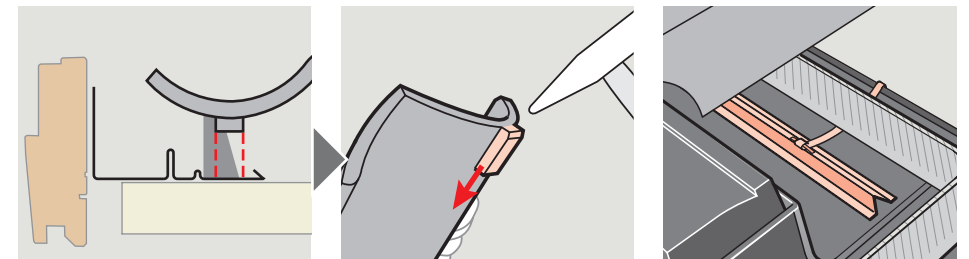
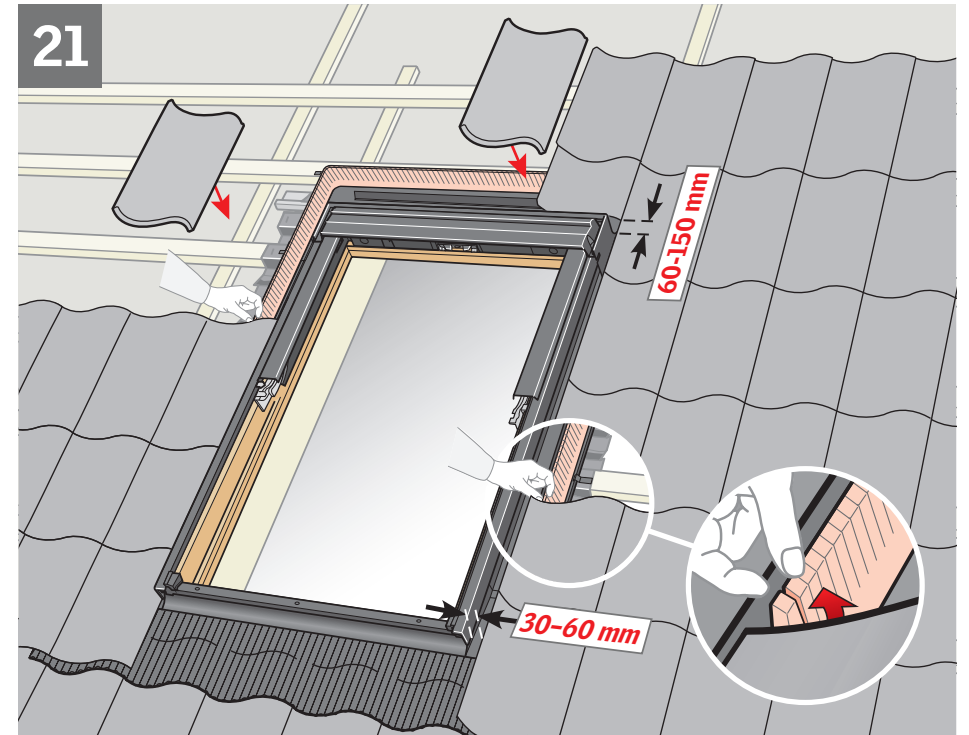
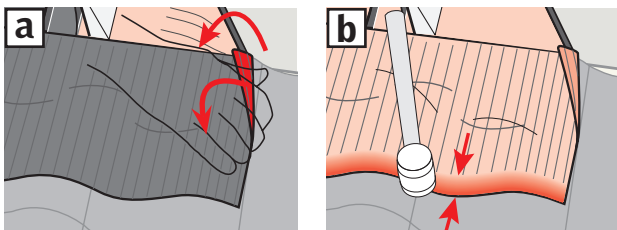
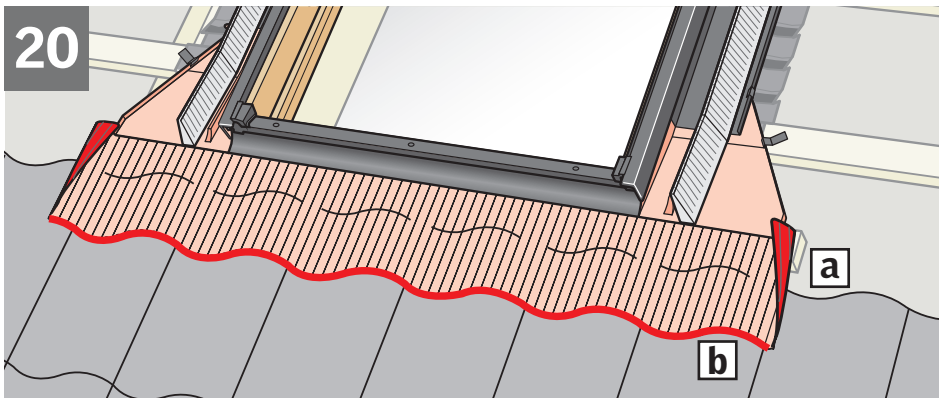
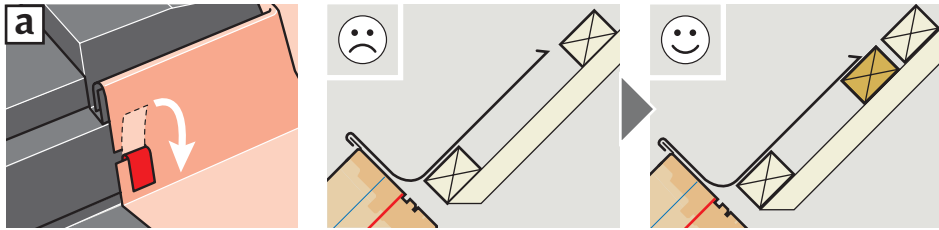
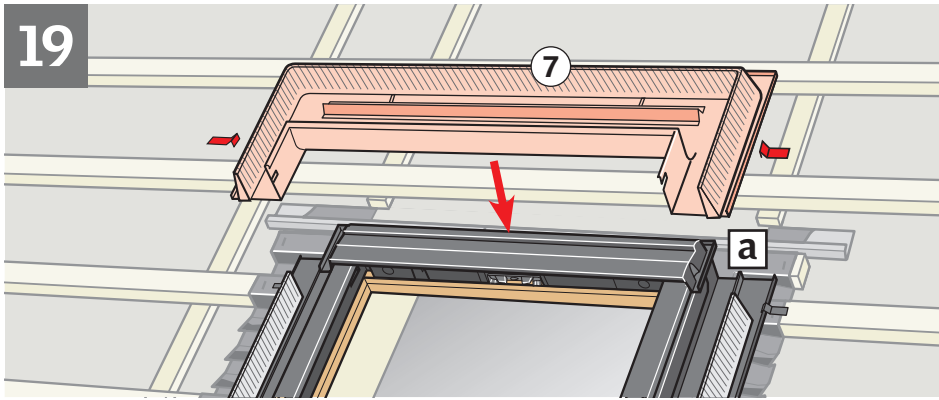
12













|   |   |
|---|---|
| <b>AR:</b> VELUX Argentina S.A.<br>348 4 639944   | <b>HU:</b> VELUX Magyarország Kft.<br>(06/1) 436-0601                           |
| <b>AT:</b> VELUX Österreich GmbH<br>02245/32 3 50   | <b>IE:</b> VELUX Company Ltd.<br>01 848 8775                                    |
| <b>AU:</b> VELUX Australia Pty. Ltd.<br>1300 859 856  | <b>IT:</b> VELUX Italia s.p.a.<br>045/6173666                                   |
| <b>BA:</b> VELUX Bosna i Hercegovina d.o.o.<br>033/626 493, 626 494   | <b>JP:</b> VELUX-Japan Ltd.<br>0570-00-8145                                     |
| <b>BE:</b> VELUX Belgium<br>(010) 42.09.09  | <b>LT:</b> VELUX Lietuva, UAB<br>(85) 270 91 01                                 |
| <b>BG:</b> ВЕЛУКС България ЕООД<br>02/955 99 30   | <b>LV:</b> VELUX Latvia SIA<br>67 27 77 33                                      |
| <b>BY:</b> Унитарное предприятие<br>"ВЕЛЮКС Мансардные Окна"<br>(017) 329 20 89                                 | <b>NL:</b> VELUX Nederland B.V.<br>030 - 6 629 629                              |
| <b>CA:</b> VELUX Canada Inc.<br>1 800 88-VELUX (888-3589)   | <b>NO:</b> VELUX Norge AS<br>22 51 06 00  |
| <b>CH:</b> VELUX Schweiz AG<br>062 289 44 45  | <b>NZ:</b> VELUX New Zealand Ltd.<br>0800 650 445                               |
| <b>CL:</b> VELUX Chile Limitada<br>2 953 6789   | <b>PL:</b> VELUX Polska Sp. z o.o.<br>(022) 33 77 000 / 33 77 070               |
| <b>CN:</b> VELUX (CHINA) CO. LTD.<br>0316-607 27 27   | <b>PT:</b> VELUX Portugal, Lda<br>21 880 00 60                                  |
| <b>CZ:</b> VELUX Česká republika, s.r.o.<br>531 015 511   | <b>RO:</b> VELUX România S.R.L.<br>0-8008-83589                                 |
| <b>DE:</b> VELUX Deutschland GmbH<br>01806 / 33 33 99<br>Festnetz: 0,20 €/Anruf<br>Mobilfunk: max. 0,60 €/Anruf | <b>RS:</b> VELUX Srbija d.o.o.<br>011 20 57 500                                 |
| <b>DK:</b> VELUX Danmark A/S<br>45 16 45 16   | <b>RU:</b> ЗАО ВЕЛЮКС<br>(495) 640 87 20  |
| <b>EE:</b> VELUX Eesti OÜ<br>621 7790   | <b>SE:</b> VELUX Svenska AB<br>042/20 83 80                                     |
| <b>ES:</b> VELUX Spain, S.A.<br>91 509 71 00  | <b>SI:</b> VELUX Slovenija d.o.o.<br>01 724 68 68                               |
| <b>FI:</b> VELUX Suomi Oy<br>0207 290 800   | <b>SK:</b> VELUX Slovensko, s.r.o.<br>(02) 33 000 555                           |
| <b>FR:</b> VELUX France<br>0821 02 15 15<br>0,119€ TTC/min  | <b>TR:</b> VELUX Çatı Pencereleri<br>Ticaret Limited Şirketi<br>0 216 302 54 10 |
| <b>GB:</b> VELUX Company Ltd.<br>01592 778 225  | <b>UA:</b> ТОВ "ВЕЛЮКС Україна"<br>(044) 2916070                                |
| <b>HR:</b> VELUX Hrvatska d.o.o.<br>01/5555 444   | <b>US:</b> VELUX America LLC<br>1-800-88-VELUX                                  |